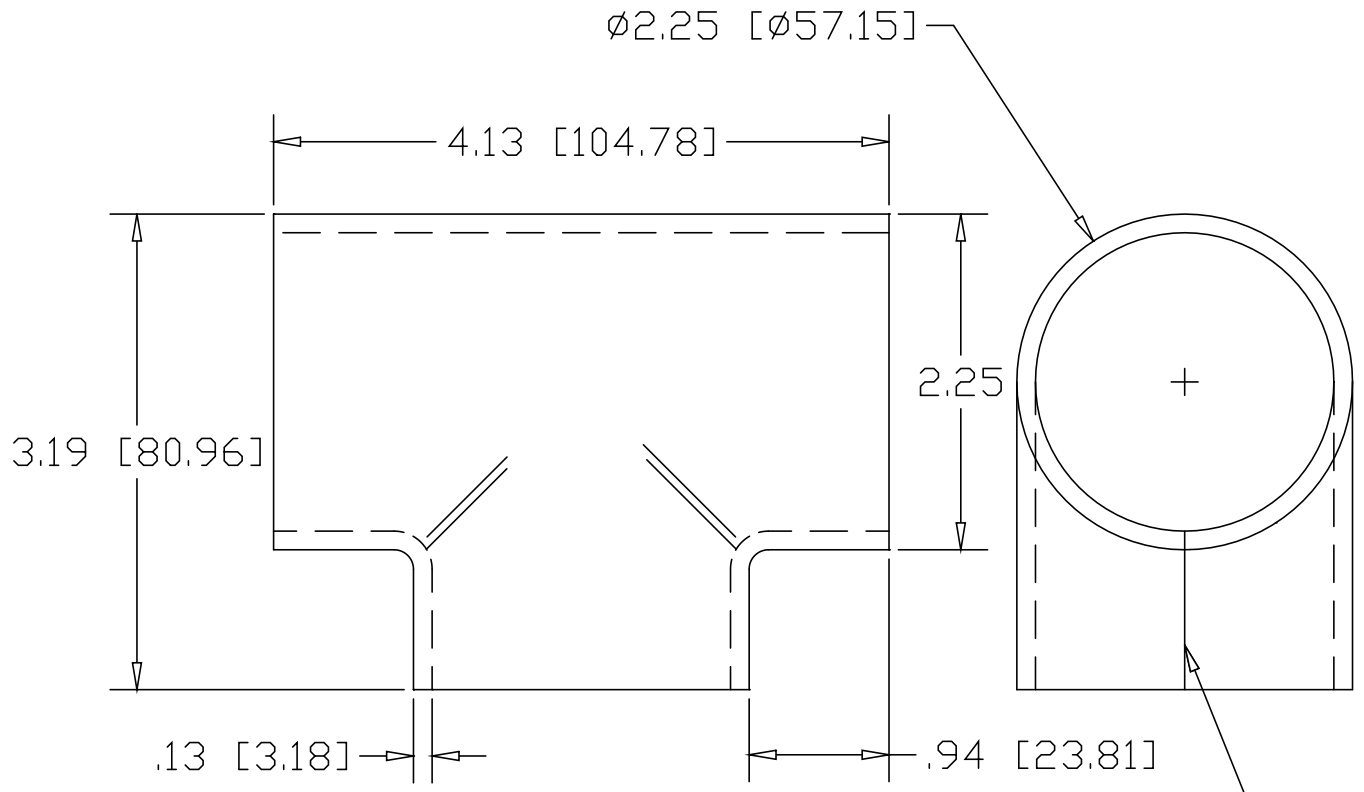



REV
SH
2110
DWG NO

REVISIONS			
REV	DESCRIPTION	DATE	APPROVED



UNWELDED SEAM ALONG
INSIDE (2) PLACES

INCHES [MILLIMETERS]

PART NAME		1-1/2" PIPE WELD TEE		
MATERIAL		10 GA. HRP&O STEEL ASTM A569		
DATE	1/22/02	 THE WAGNER COMPANIES R & B WAGNER, INC. AND J. G. BRAUN CO.		
DRAWN BY	JAH			
FINISH	MILL			
SIZE	WEIGHT	PART NUMBER	REV	
A	1.19 LBS	2110		