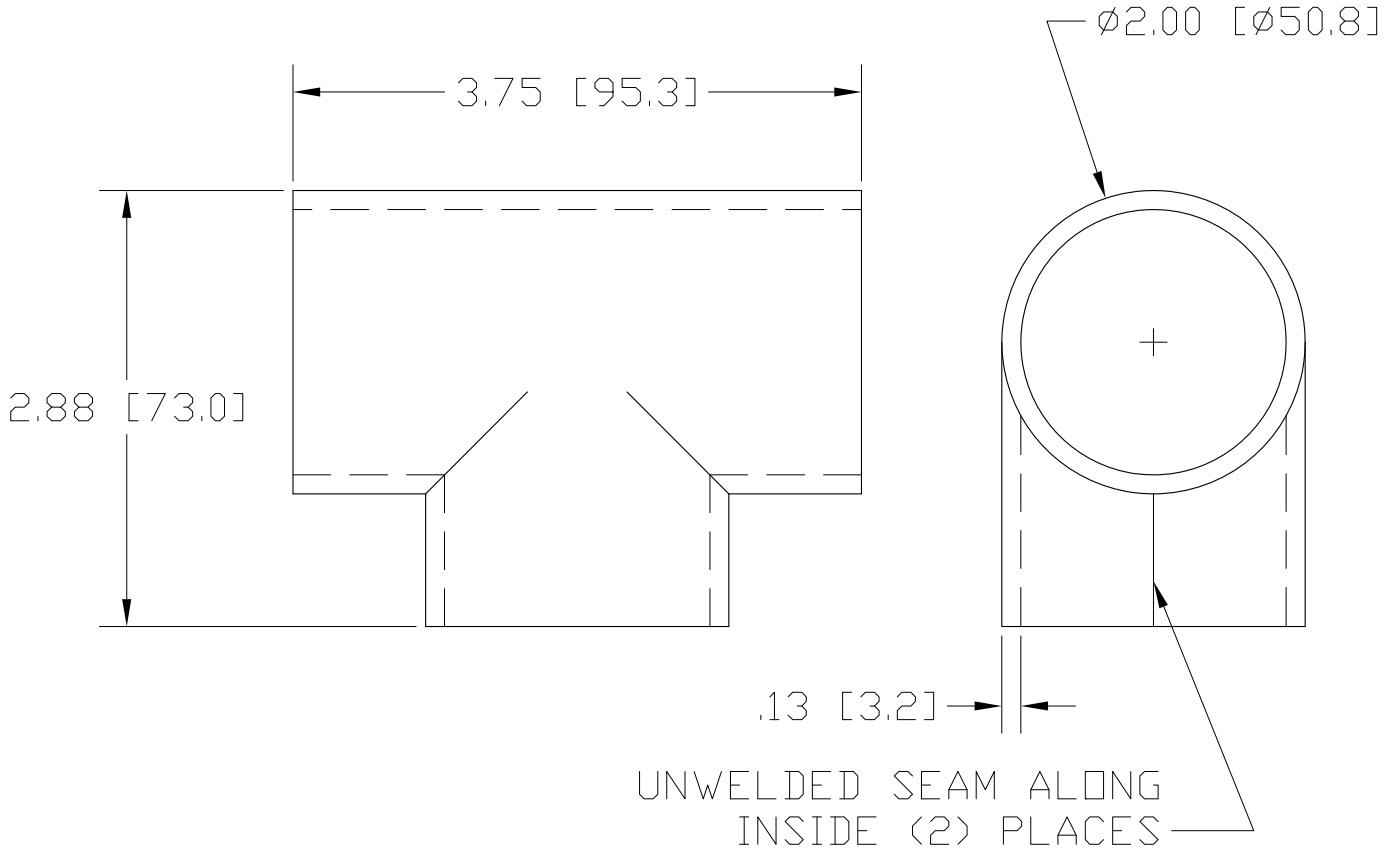


REV
SH
DWG NO 2106

REVISIONS			
REV	DESCRIPTION	DATE	APPROVED



INCHES [MILLIMETERS]

PART NAME		2.00" OD TUBE SIZE WELD TEE		
MATERIAL		10 GA. HRP&D STEEL ASTM A569		
DATE		1/08/02		
DRAWN BY		JAH		
FINISH		MILL		
SIZE	WEIGHT	PART NUMBER	REV	
A	.93 LBS	2106		

