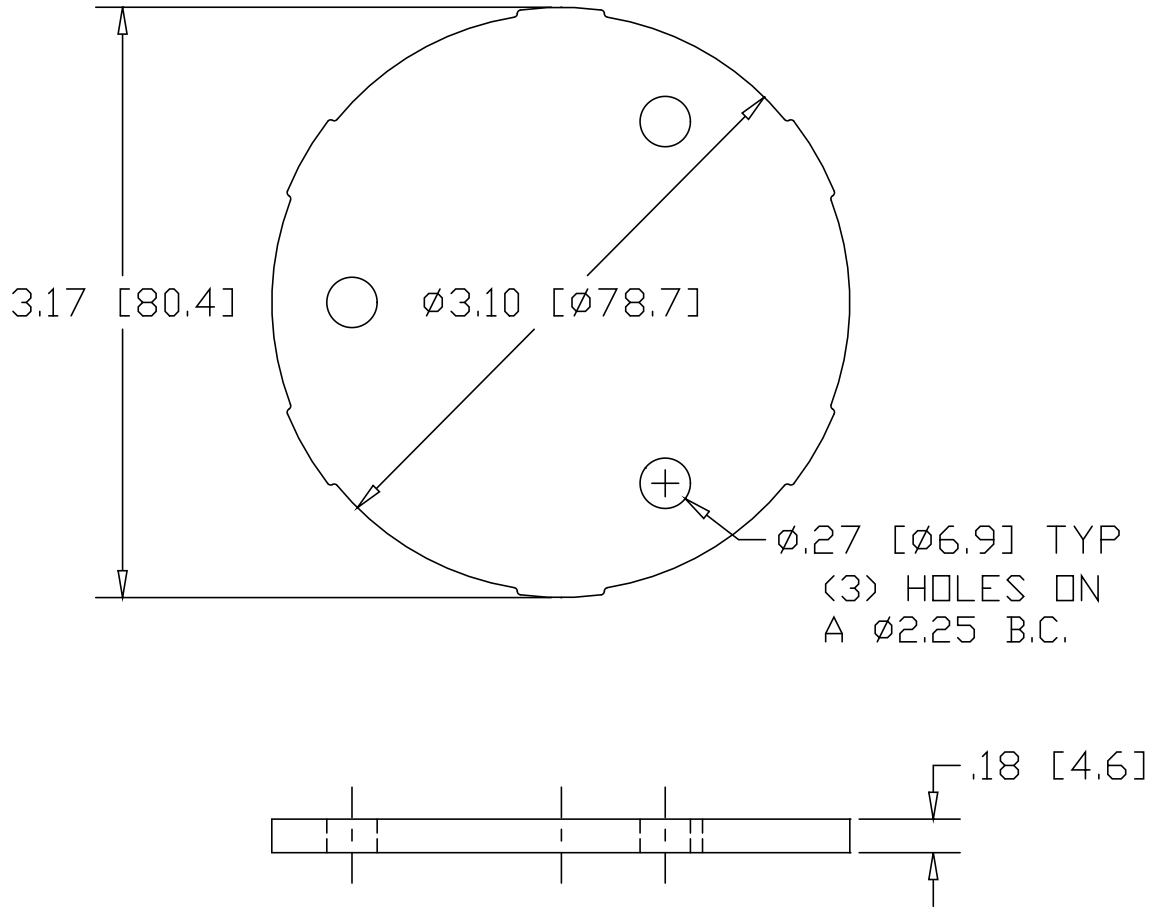



REV
SH
2090
DWG NO

REVISIONS			
REV	DESCRIPTION	DATE	APPROVED



ALTERNATE MATERIAL	PART NUMBER
.190 (3003) ALUMINUM ASTM B209	2091
7 GA. (304) STAINLESS STEEL A240	2092
.18 (260) BRASS B19,B36	2093

PART NAME		SNAP COVER ANCHOR PLATE			
MATERIAL		7 GA. HRP&O STEEL ASTM A569			
DATE	8/15/96	 R & B WAGNER, INC.			
DRAWN BY	RJF				
FINISH	MILL	SIZE	WEIGHT	PART NUMBER	REV
		A	.39 LBS	2090	