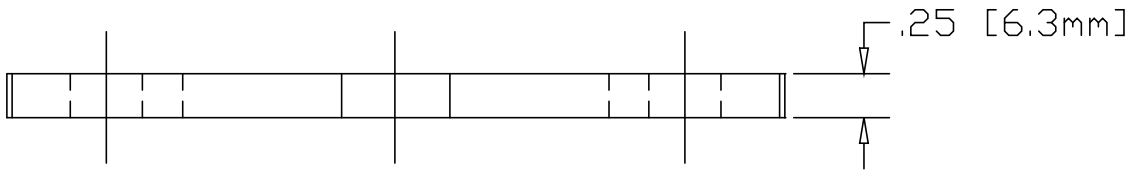
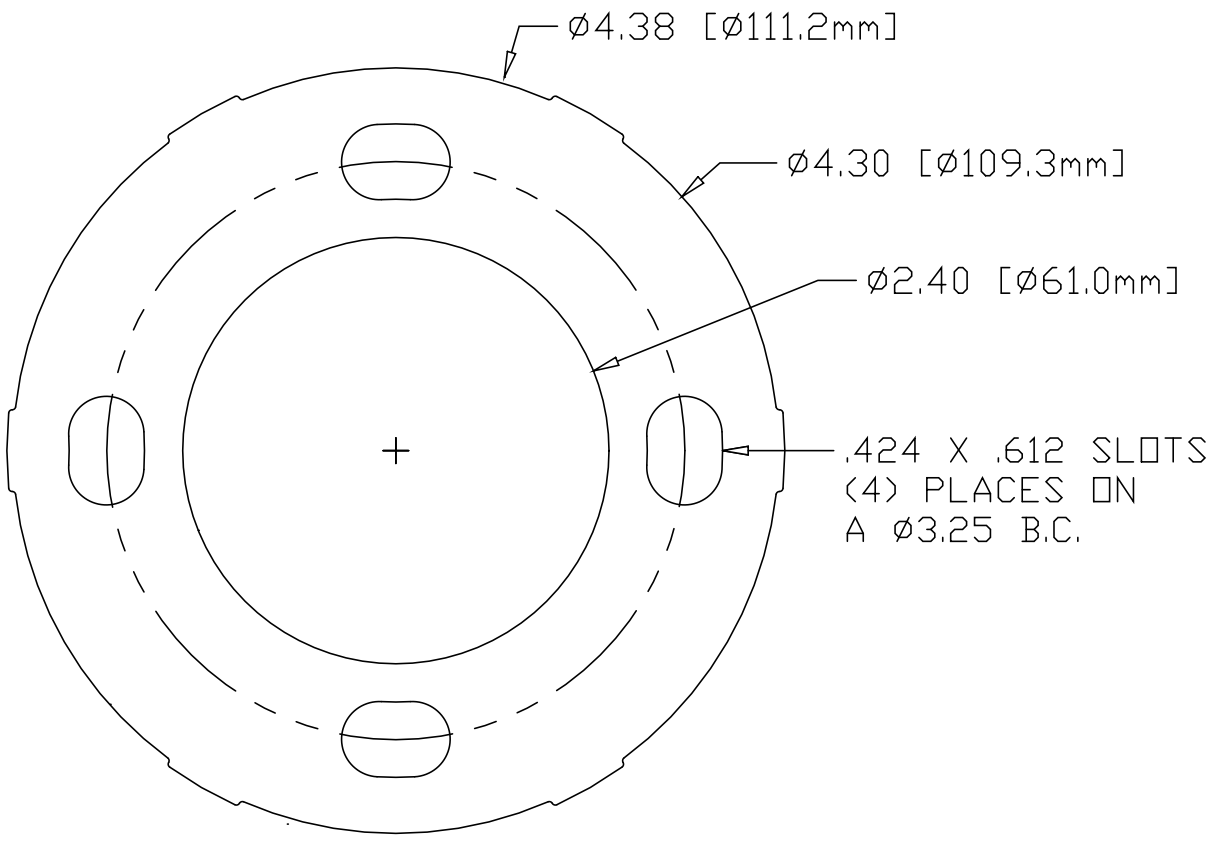


REV A
SH
2088B
DWG NO

REVISIONS			
REV	DESCRIPTION	DATE	APPROVED
A	.42 X .61 SLOTS WERE ϕ .42 HOLES	07/14/06	RJF



* USE WITH SNAP-COVER
#2088 IN BRASS

INCHES [MILLIMETERS]

PART NAME		4.31" DIA SNAP COVER BASE					
MATERIAL		.250 (260) BRASS B19,B36					
DATE	3/8/06		THE WAGNER COMPANIES R & B WAGNER, INC. AND J. G. BRAUN CO.				
DRAWN BY	RDC						
FINISH	MILL						
SIZE	A	WEIGHT	.55 LBS	PART NUMBER	2088B	REV	A