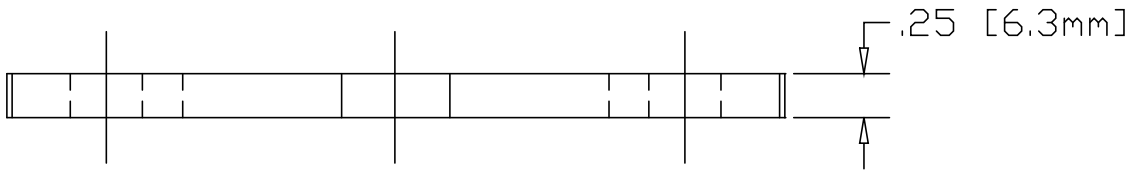
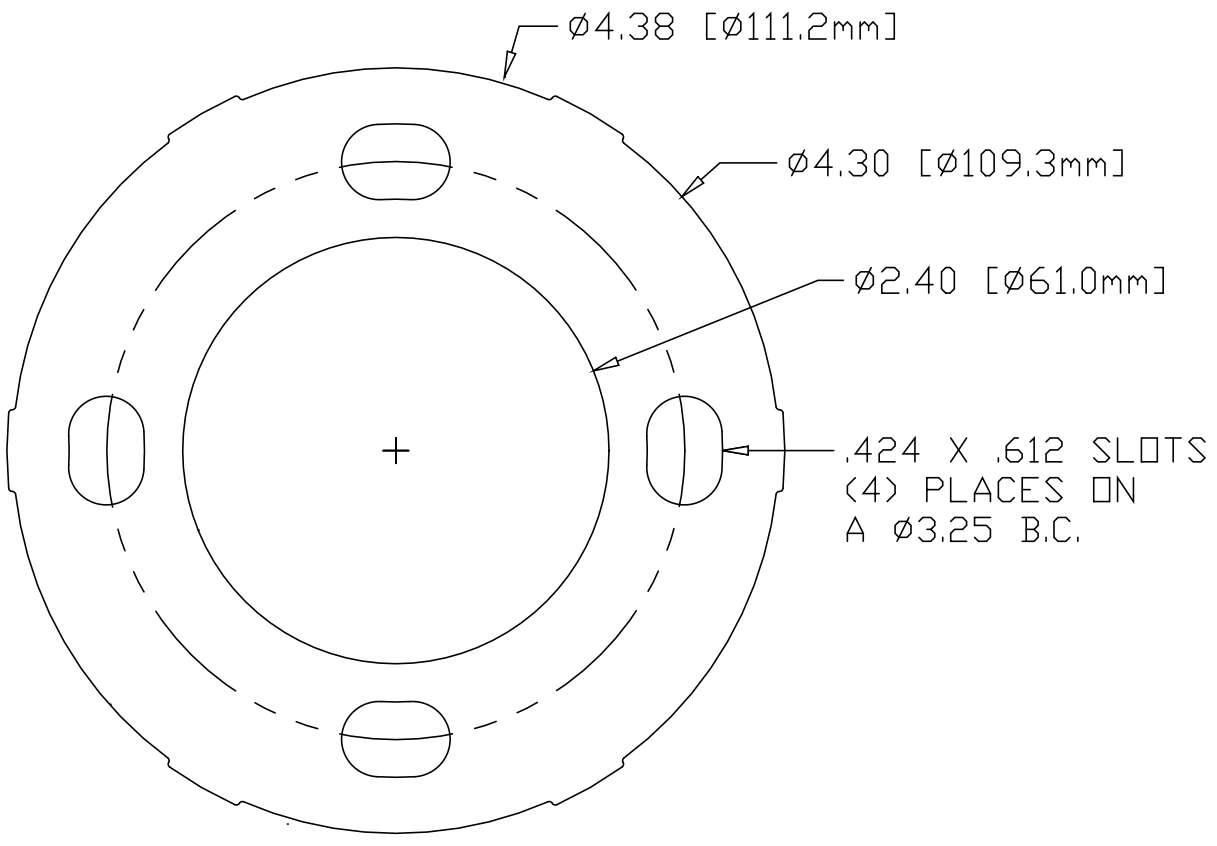



REV A
SH
DWG NO 2086B

REVISIONS			
REV	DESCRIPTION	DATE	APPROVED
A	.42 X .61 SLOTS WERE Ø.42 HOLES	07/14/06	RJF



* USE WITH SNAP-COVER #2086 IN ALUMINUM

INCHES [MILLIMETERS]

PART NAME		4.31" DIA SNAP COVER BASE		
MATERIAL		.250 (3003) ALUMINUM ASTM B209		
DATE	3/8/06		THE WAGNER COMPANIES R & B WAGNER, INC. AND J. G. BRAUN CO.	
DRAWN BY	RDC			
FINISH	MILL	SIZE	WEIGHT	PART NUMBER
		A	.55 LBS	2086B
				REV A