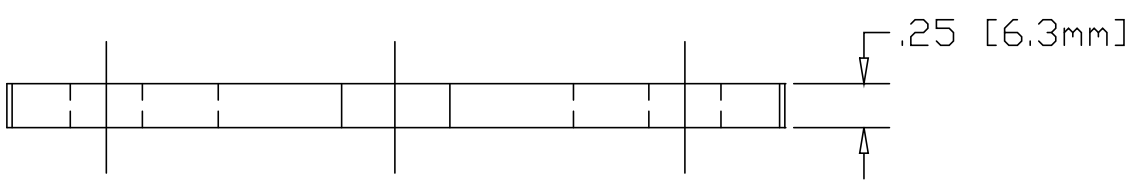
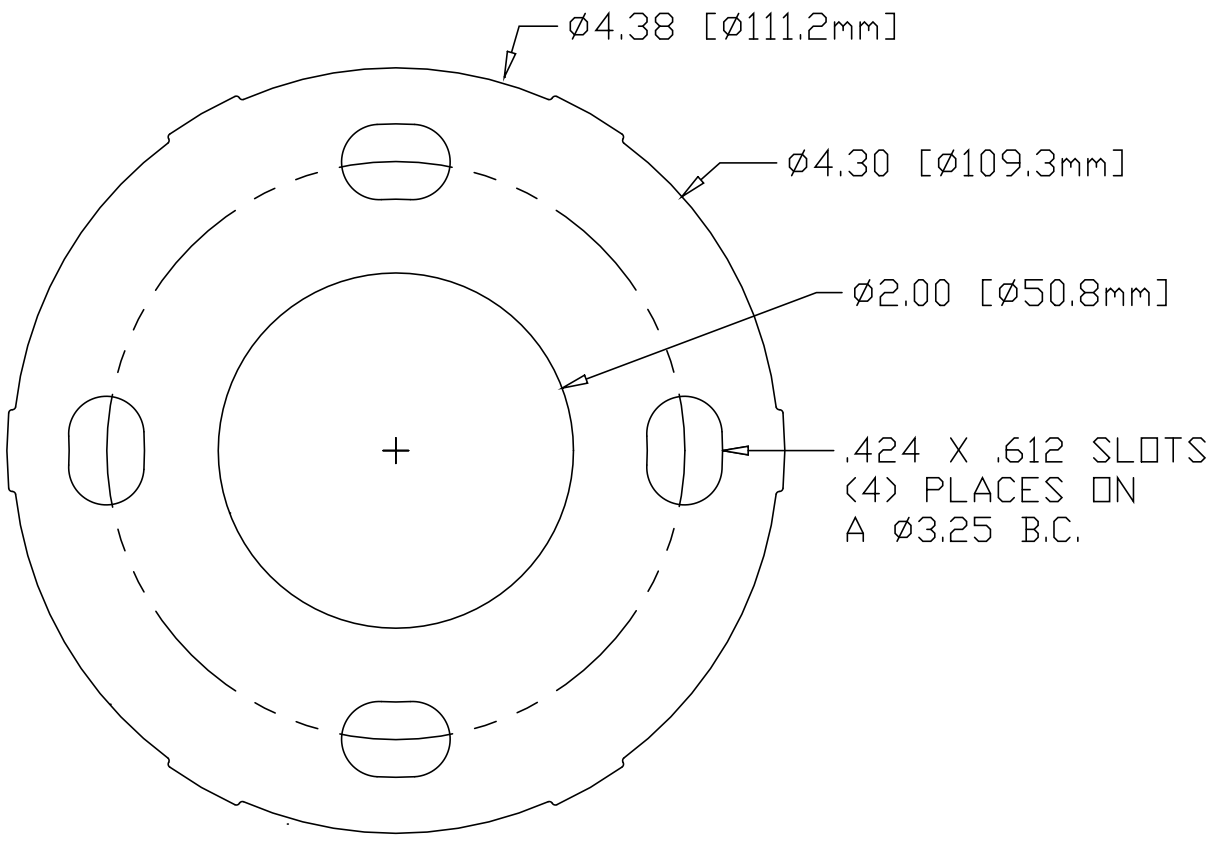


REV A
SH
2084B
DWG NO


REVISIONS			
REV	DESCRIPTION	DATE	APPROVED
A	.42 X .61 SLOTS WERE ϕ .42 HOLES	07/14/06	RJF

2081B



* USE WITH SNAP-COVER
#2084 IN BRASS

INCHES [MILLIMETERS]

PART NAME		4.31" DIA SNAP COVER BASE		
MATERIAL		.250 (260) BRASS B19,B36		
DATE	3/8/06		THE WAGNER COMPANIES R & B WAGNER, INC. AND J. G. BRAUN CO.	
DRAWN BY	RDC			
FINISH	MILL	SIZE	WEIGHT	PART NUMBER
		A	.84 LBS	2084B
				REV A

