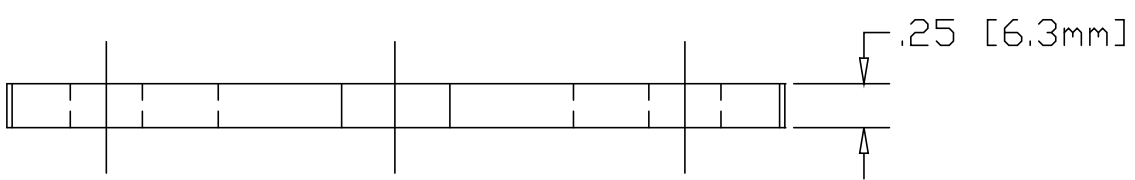
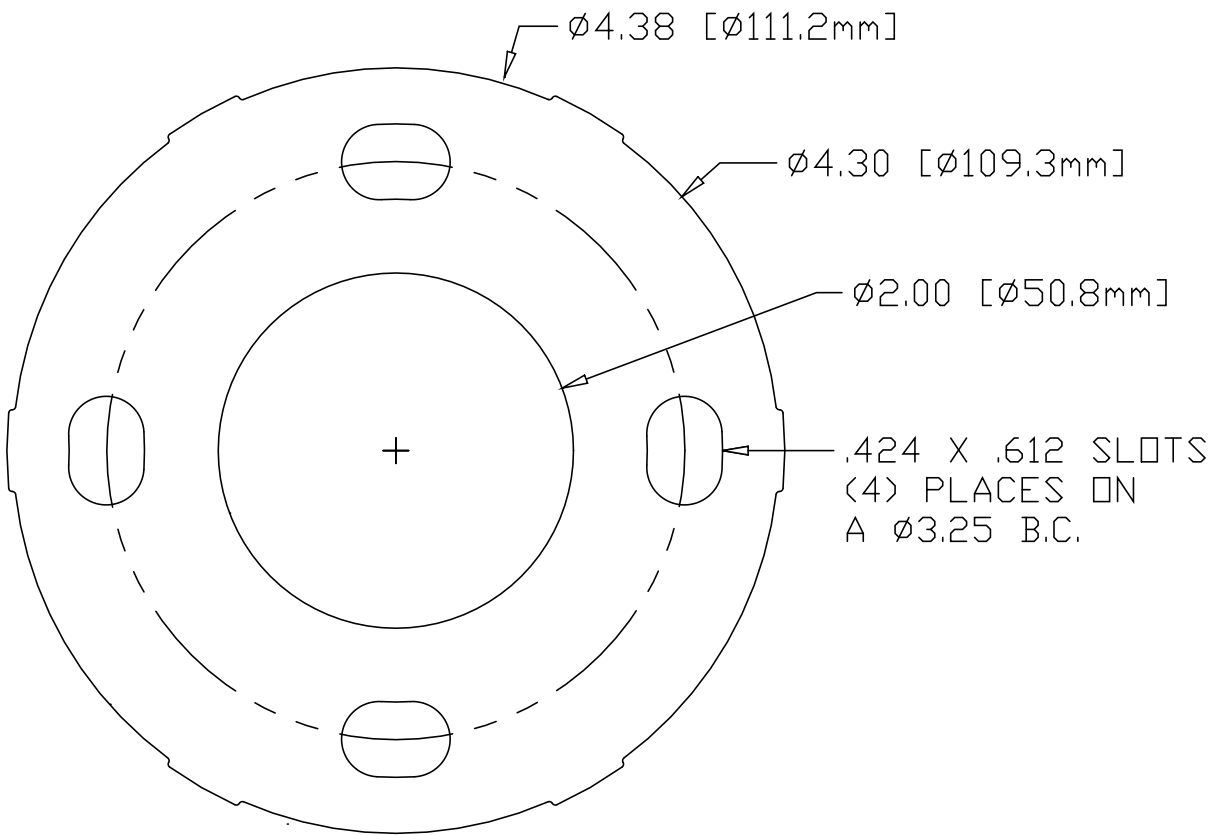


REV A  
SH  
DWG NO 2082B


REVISIONS			
REV	DESCRIPTION	DATE	APPROVED
A	.42 X .61 SLOTS WERE $\phi$ .42 HOLES	07/14/06	RJF

2081B



\* USE WITH SNAP-COVER  
#2082 IN ALUMINUM

INCHES [MILLIMETERS]

PART NAME		4.31" DIA SNAP COVER BASE					
MATERIAL		.250 (3003) ALUMINUM ASTM B209					
DATE	3/8/06	 <b>THE WAGNER COMPANIES</b> R & B WAGNER, INC. AND J. G. BRAUN CO.					
DRAWN BY	RDC						
FINISH	MILL						
SIZE	A	WEIGHT	.55 LBS	PART NUMBER	2082B	REV	A

