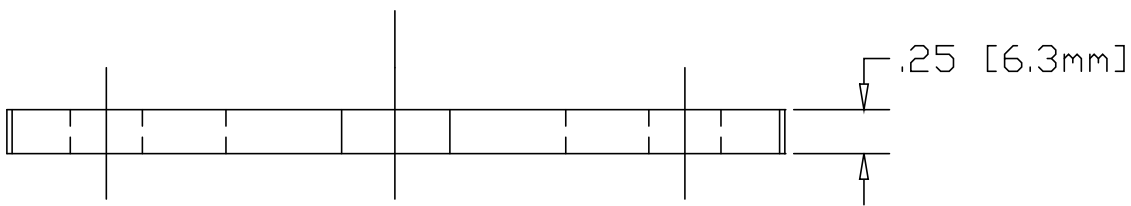
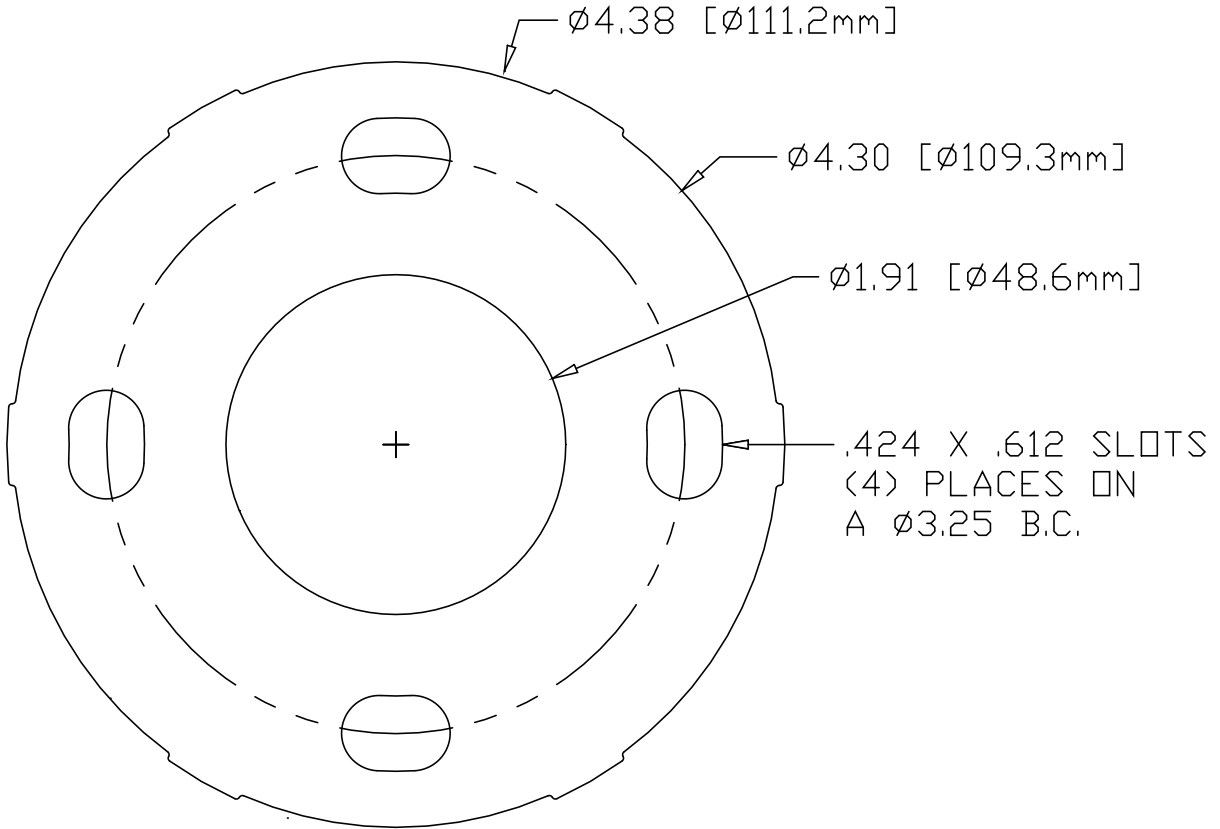



REV A
SH
DWG NO 2078B

REVISIONS			
REV	DESCRIPTION	DATE	APPROVED
A	.42 X .61 SLOTS WERE ϕ .42 HOLES	07/14/06	RJF



* USE WITH SNAP-COVER #2078 IN BRASS

INCHES [MILLIMETERS]

PART NAME		4.31" DIA SNAP COVER BASE	
MATERIAL		.250 (260) BRASS B19,B36	
DATE	3/8/06	 THE WAGNER COMPANIES R & B WAGNER, INC. AND J. G. BRAUN CO.	PART NUMBER
DRAWN BY	RDC		
FINISH	MILL		
SIZE	A	WEIGHT	.84 LBS
		REV	A

2078B