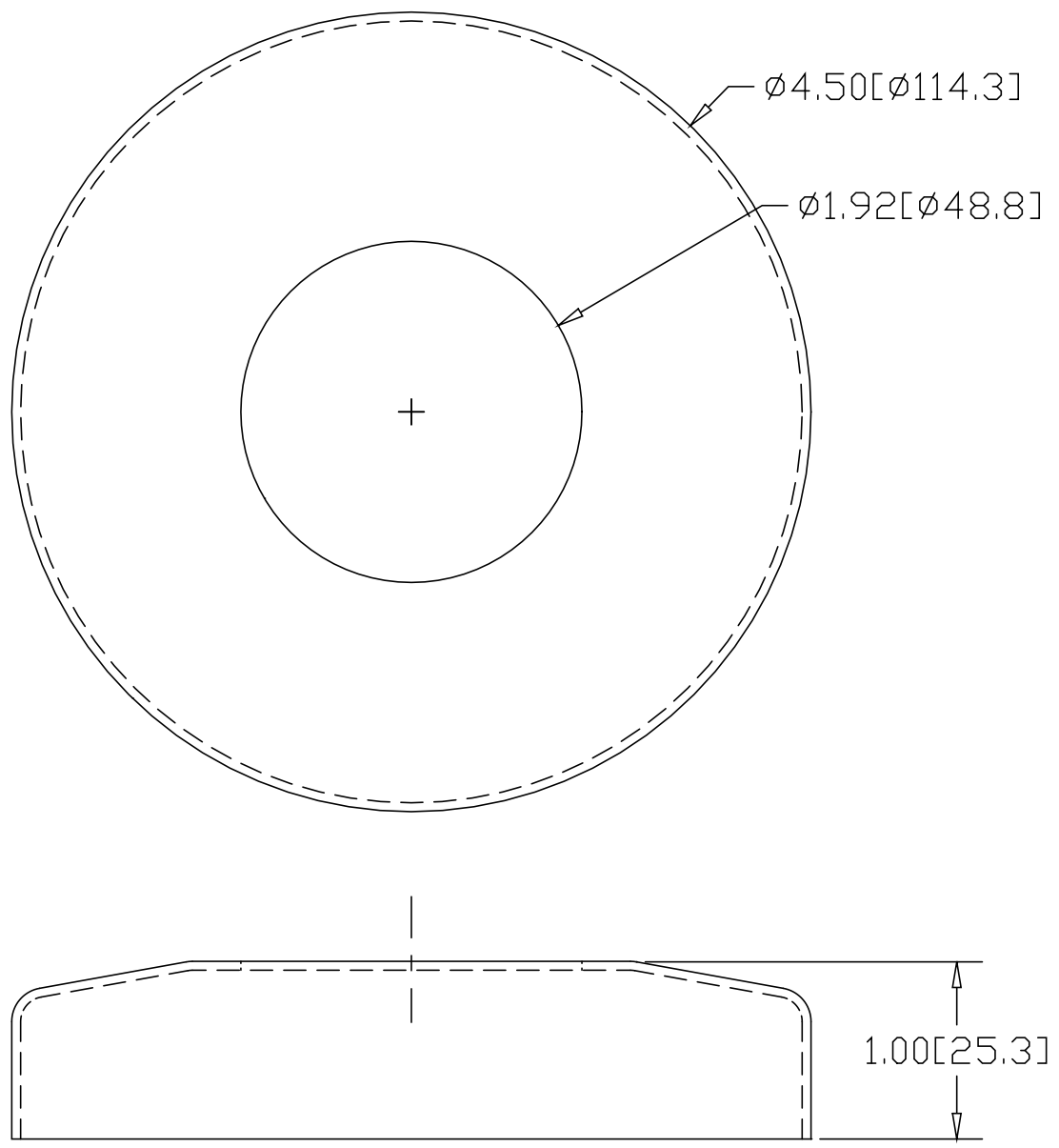


REV  
SH  
2075  
DWG NO


REVISIONS			
REV	DESCRIPTION	DATE	APPROVED



INCHES [MILLIMETERS]

\* USE WITH BASE  
 #2075B IN STEEL  
 #2076B IN ALUMINUM  
 #2077B IN STAINLESS  
 #2078B IN BRASS

ALTERNATE MATERIAL	PART NUMBER
.063 (3003) ALUMINUM ASTM B209	2076
18 GA. (304) STAINLESS STEEL A240	2077
.050 (280) MUNTZ METAL	2078

PART NAME		1-1/2" PIPE SNAP COVER					
MATERIAL		18 GA. CR STEEL ASTM A366					
DATE	4/3/97	 <b>R &amp; B WAGNER, INC.</b>					
DRAWN BY	RJF						
FINISH	MILL						
SIZE	A	WEIGHT	.29 LBS	PART NUMBER	2075	REV	