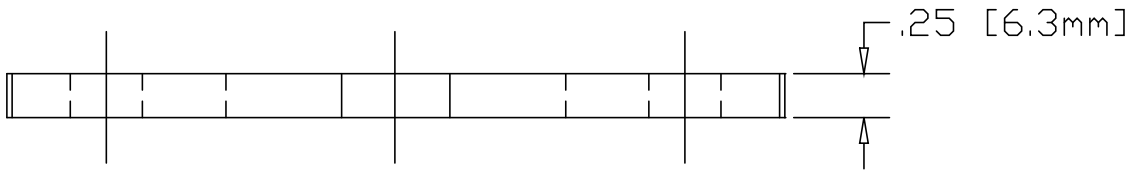
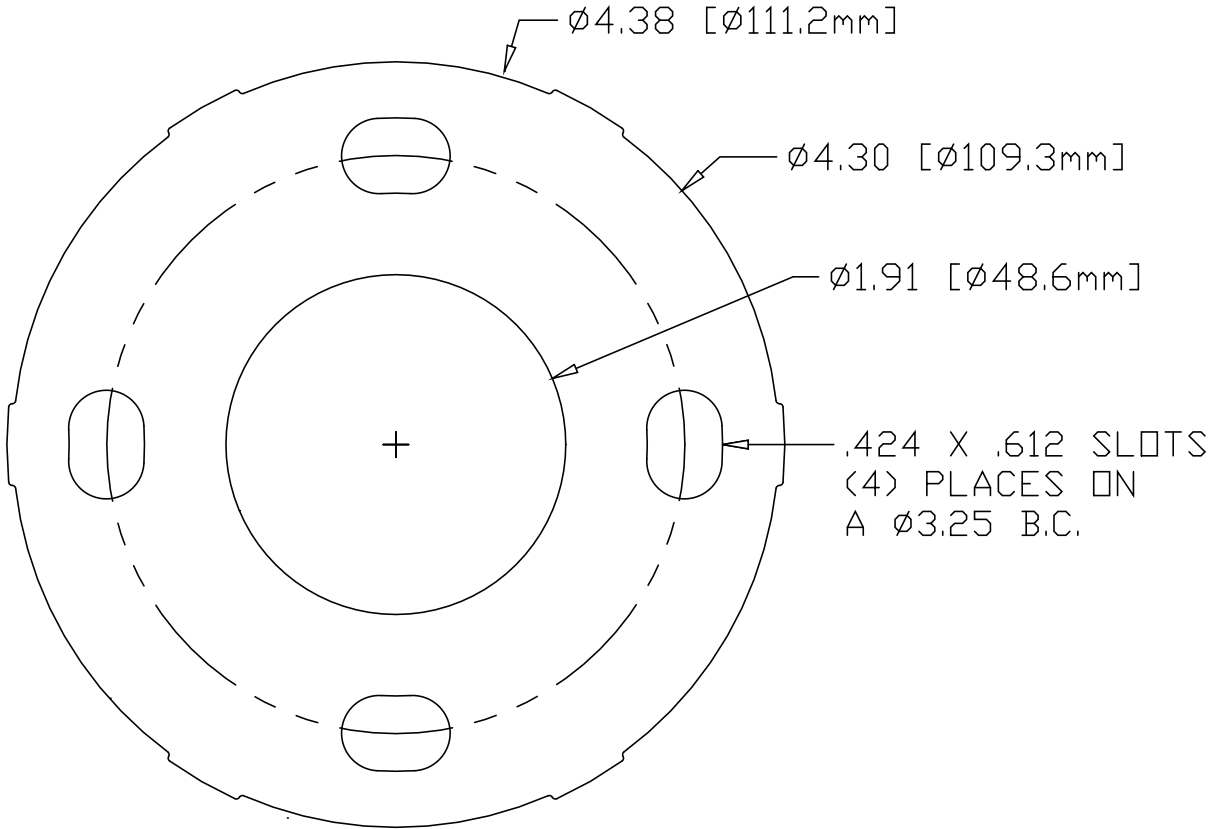



REV A
SH
DWG NO 2076B

REVISIONS			
REV	DESCRIPTION	DATE	APPROVED
A	.42 X .61 SLOTS WERE Ø.42 HOLES	07/14/06	RJF



* USE WITH SNAP-COVER #2076 IN ALUMINUM

INCHES [MILLIMETERS]

PART NAME		4.31" DIA SNAP COVER BASE	
MATERIAL		.250 (3003) ALUMINUM ASTM B209	
DATE	3/8/06		THE WAGNER COMPANIES R & B WAGNER, INC. AND J. G. BRAUN CO.
DRAWN BY	RDC		
FINISH	MILL	SIZE	WEIGHT
		A	.79 LBS
		PART NUMBER	2076B
		REV	A