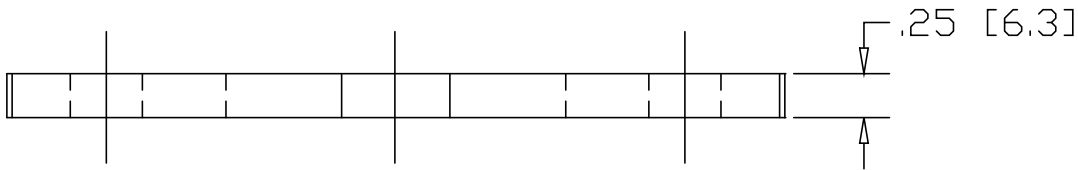
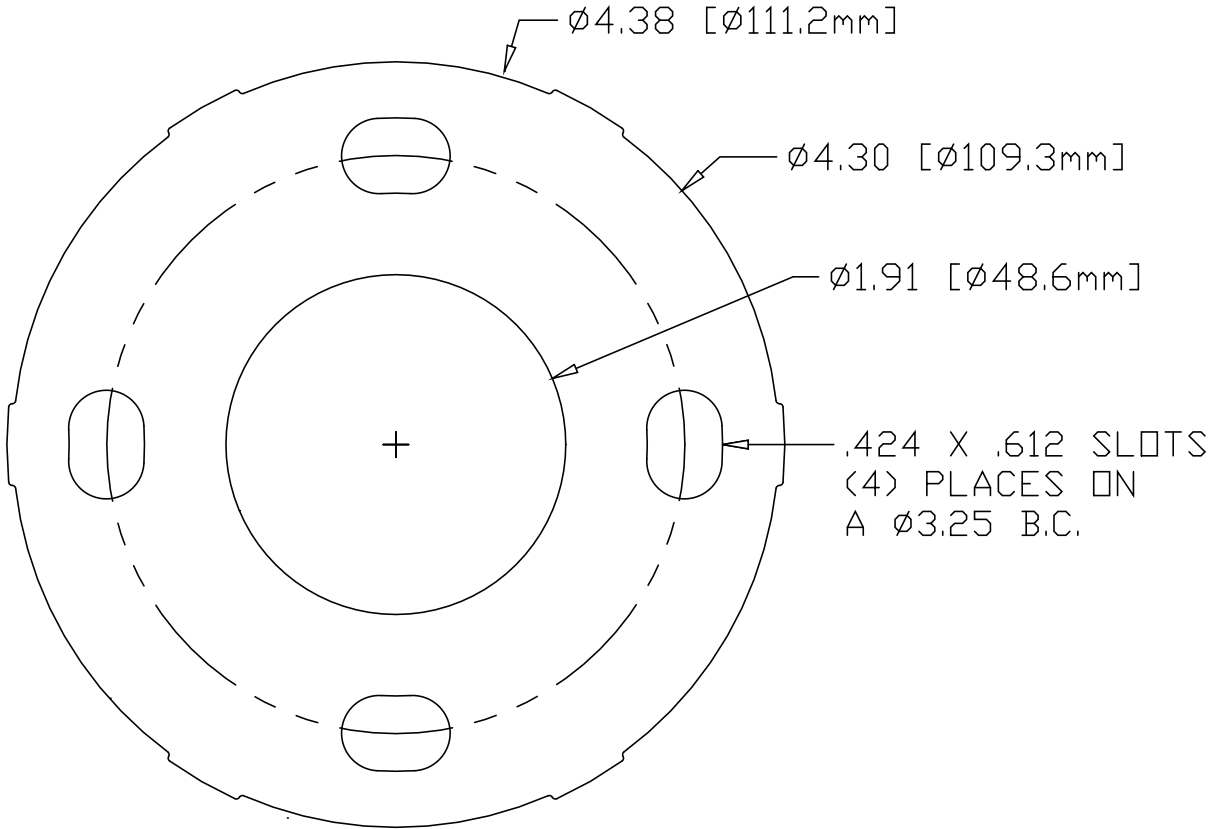



REV A
SH
DWG NO 2075B

REVISIONS			
REV	DESCRIPTION	DATE	APPROVED
A	.42 X .61 SLOTS WERE Ø.42 HOLES	07/14/06	RJF



* USE WITH SNAP-COVER #2075 IN STEEL

INCHES [MILLIMETERS]

PART NAME		4.31" DIA SNAP COVER BASE					
MATERIAL		.25 HRP&D STEEL ASTM A569					
DATE	3/8/06	 THE WAGNER COMPANIES R & B WAGNER, INC. AND J. G. BRAUN CO.					
DRAWN BY	RDC						
FINISH	MILL						
SIZE	A	WEIGHT	.79 LBS	PART NUMBER	2075B	REV	A