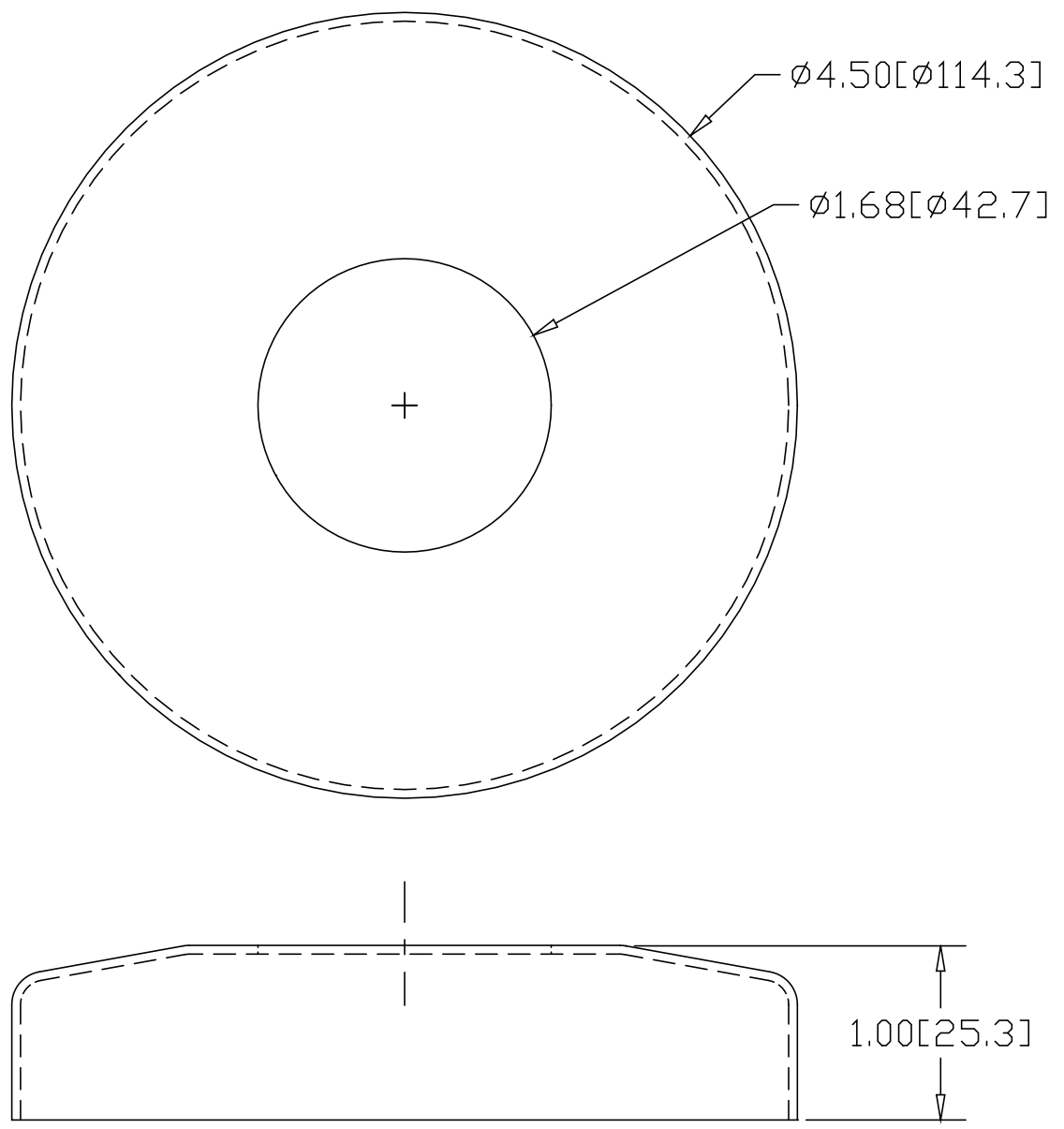


REV
SH
2065
DWG NO


REVISIONS			
REV	DESCRIPTION	DATE	APPROVED



INCHES [MILLIMETERS]

* USE WITH BASE
 #2065B IN STEEL
 #2066B IN ALUMINUM
 #2067B IN STAINLESS
 #2068B IN BRASS

ALTERNATE MATERIAL	PART NUMBER
.063 (3003) ALUMINUM ASTM B209	2066
18 GA. (304) STAINLESS STEEL A240	2067
.050 (280) MUNTZ METAL	2068

PART NAME		1-1/4" PIPE SNAP COVER					
MATERIAL		18 GA. CR STEEL ASTM A366					
DATE	4/3/97	 R & B WAGNER, INC.					
DRAWN BY	RJF						
FINISH	MILL						
SIZE	A	WEIGHT	.29 LBS	PART NUMBER	2065	REV	