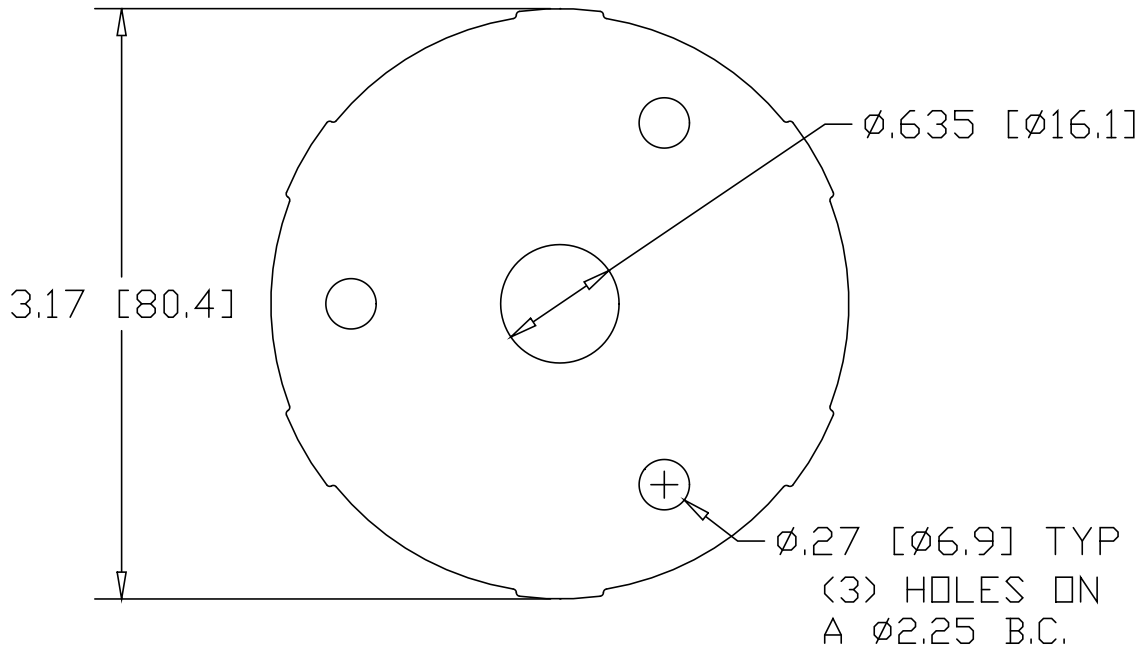


REV  
SH  
2031B  
DWG NO


REVISIONS			
REV	DESCRIPTION	DATE	APPROVED



\* USE WITH SNAP-COVER  
 #2031 IN STEEL  
 #2032 IN ALUMINUM  
 #2033 IN STAINLESS  
 #2034 IN BRASS

INCHES [MILLIMETERS]

ALTERNATE MATERIAL	PART NUMBER
.190 (3003) ALUMINUM ASTM B209	2032B
7 GA. (304) STAINLESS STEEL A240	2033B
.18 (260) BRASS B19,B36	2034B

PART NAME		.625" OD TUBE SNAP COVER BASE	
MATERIAL		7 GA. HRP&O STEEL ASTM A569	
DATE	8/15/96	 <b>R &amp; B WAGNER, INC.</b>	
DRAWN BY	RJF		
FINISH	MILL	SIZE	A
		WEIGHT	.39 LBS
		PART NUMBER	2031B
		REV	