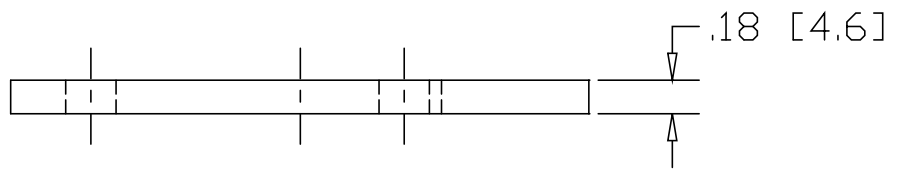
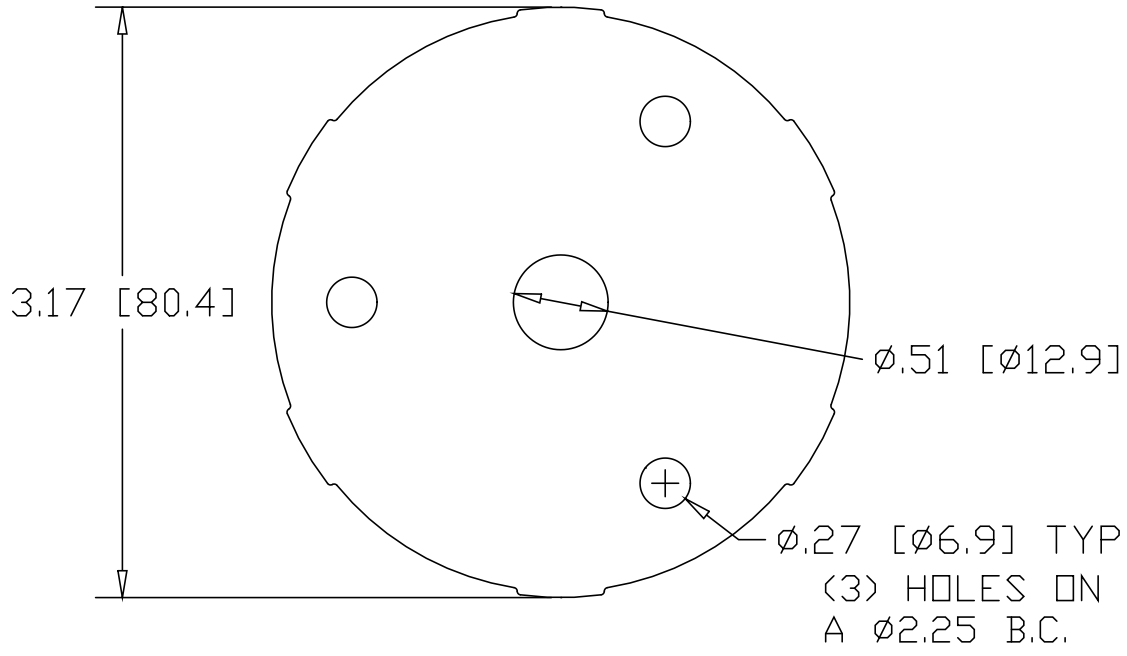



REV
SH
2023B.316
DWG NO

REVISIONS			
REV	DESCRIPTION	DATE	APPROVED



ALTERNATE MATERIAL	PART NUMBER

PART NAME				SNAP COVER ANCHOR PLATE			
MATERIAL				7 GA. (316) STAINLESS STEEL A240			
DATE		4/11/12				R & B WAGNER, INC.	
DRAWN BY		RDC					
FINISH		MILL		SIZE	WEIGHT	PART NUMBER	REV
				A	.39 LBS	2023B.316	