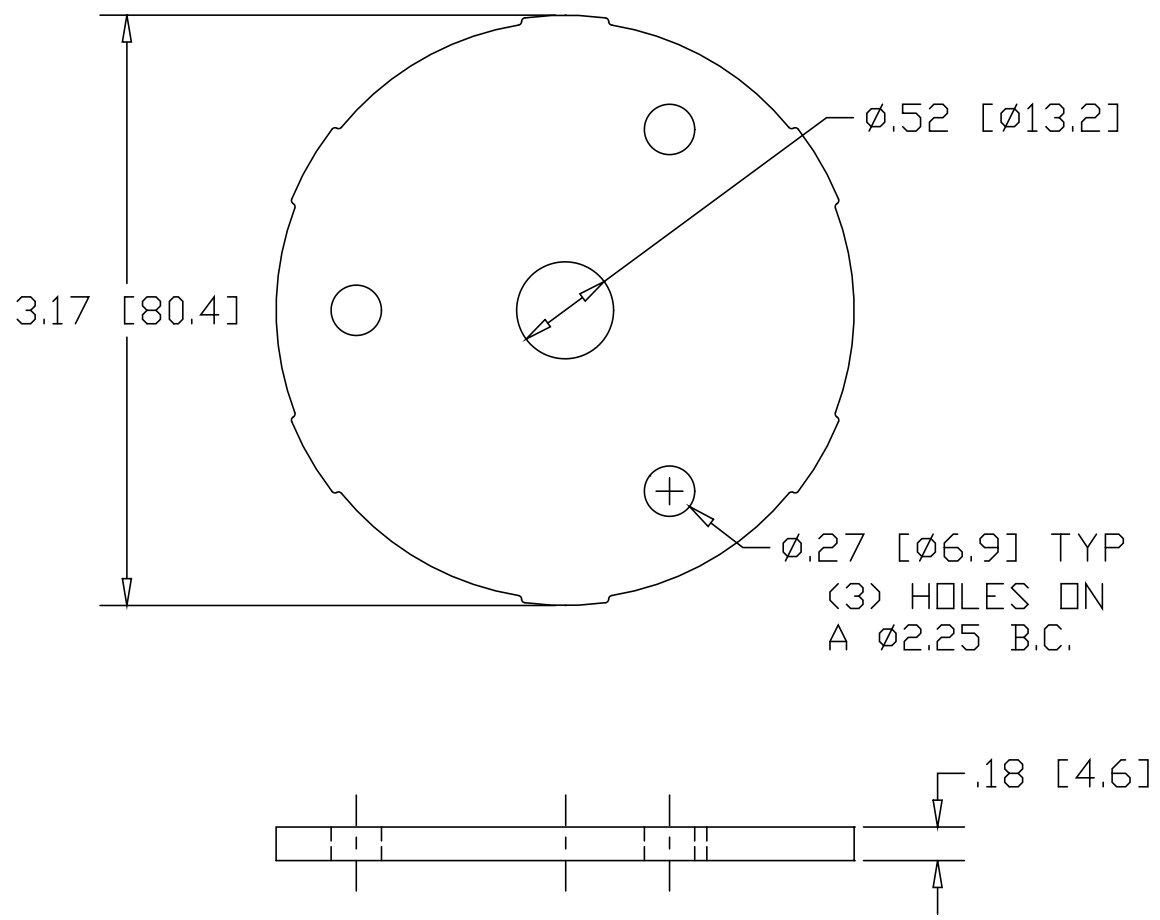


REV
SH
2021B
DWG NO


REVISIONS			
REV	DESCRIPTION	DATE	APPROVED



* USE WITH SNAP-COVER
 #2021 IN STEEL
 #2022 IN ALUMINUM
 #2023 IN STAINLESS
 #2024 IN BRASS

INCHES [MILLIMETERS]

ALTERNATE MATERIAL	PART NUMBER
.190 (3003) ALUMINUM ASTM B209	2022B
7 GA. (304) STAINLESS STEEL A240	2023B
.18 (260) BRASS B19,B36	2024B

PART NAME		.50" OD TUBE SNAP COVER BASE	
MATERIAL		7 GA. HRP&O STEEL ASTM A569	
DATE	8/15/96	 R & B WAGNER, INC.	
DRAWN BY	RJF		
FINISH	MILL	SIZE	A
		WEIGHT	.39 LBS
		PART NUMBER	2021B
		REV	