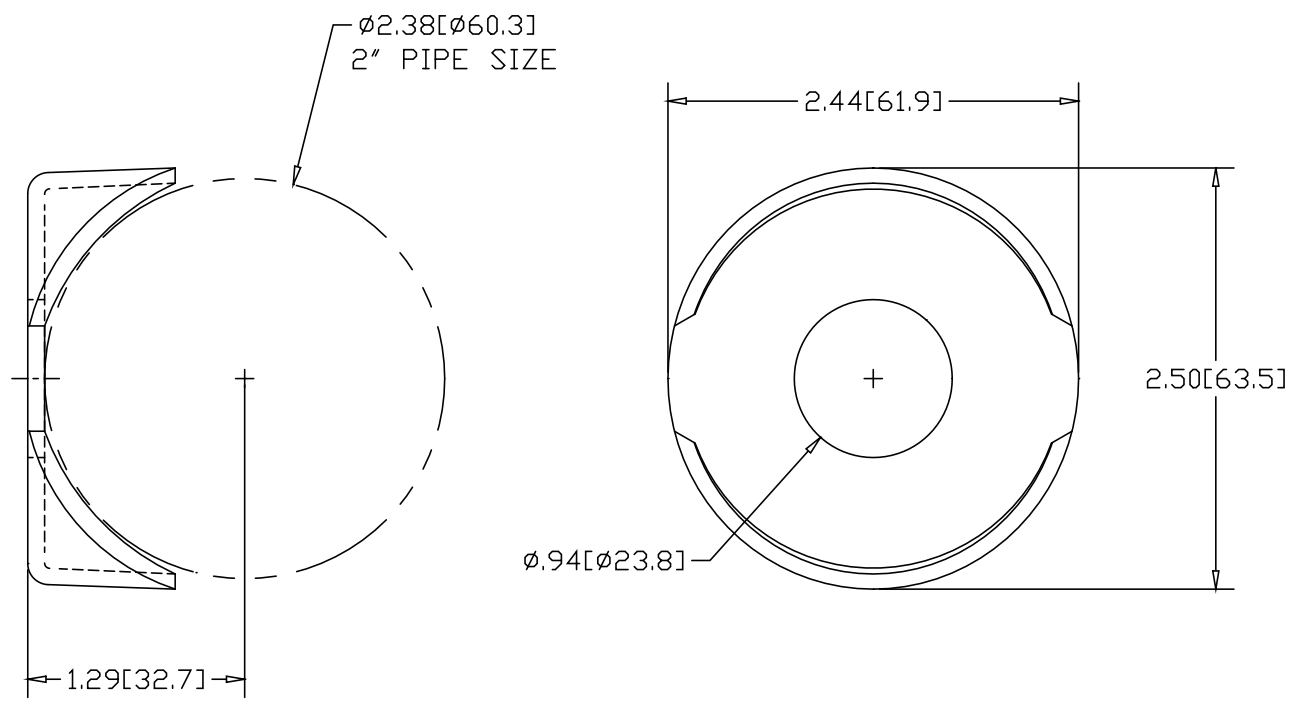



REVISIONS			
REV	DESCRIPTION	DATE	APPROVED



INCHES [MILLIMETERS]

ALTERNATE MATERIAL	PART NO.
13 GA. 304 STAINLESS STEEL ASTM A240	1923
.125 3003 ALUMINUM ASTM B209	1913

PART NAME		2" PIPE SIZE H-STYLE FILLER			
MATERIAL		13 GA. HRP&D STEEL ASTM A-569			
DATE	11/9/98	 <b>R &amp; B WAGNER, INC.</b>			
DRAWN BY	RJF				
FINISH	MILL	SIZE	WEIGHT	PART NUMBER	REV
		A	.15 LBS	1902	