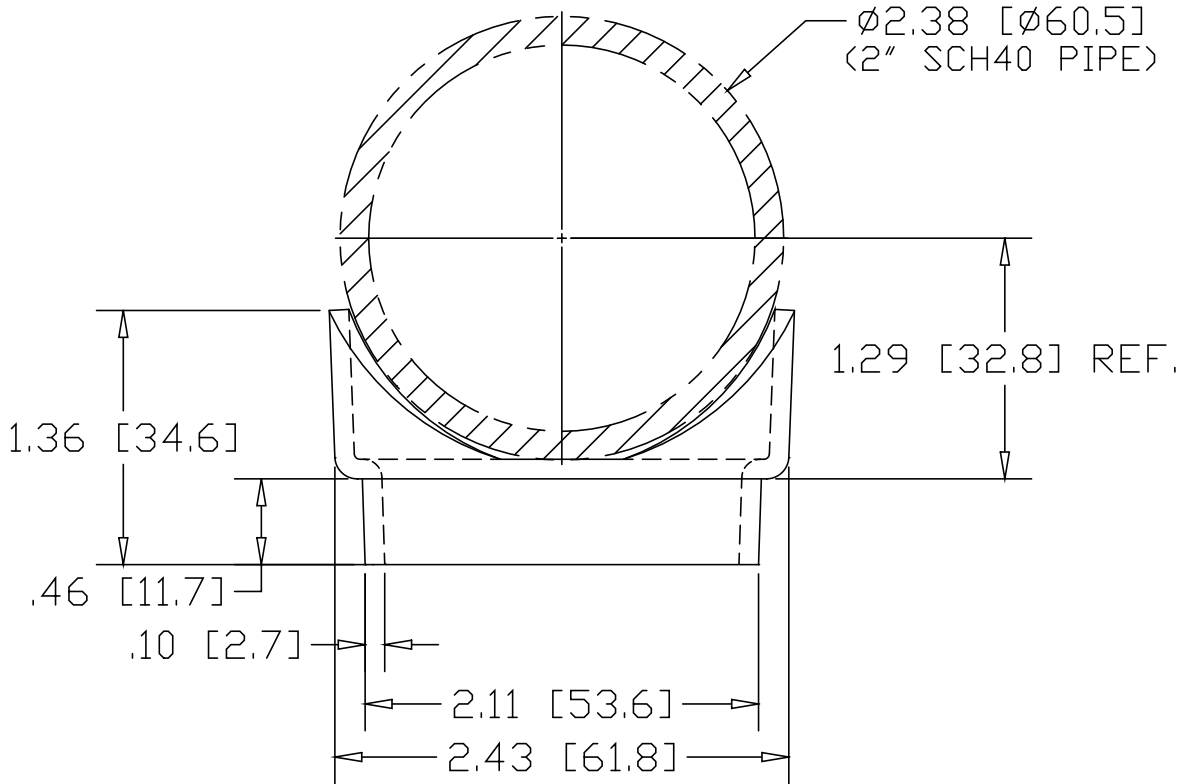
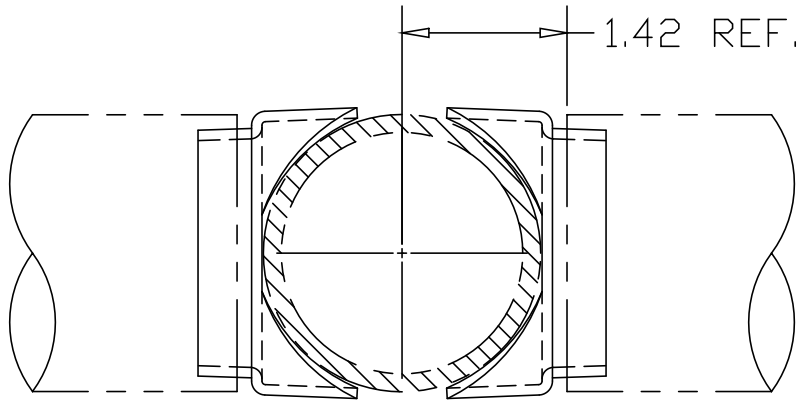
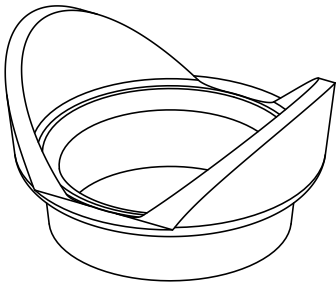



REV  
SH  
1896  
DWG NO

REVISIONS			
REV	DESCRIPTION	DATE	APPROVED



ALTERNATE MATERIAL	PART NUMBER
.09 (3003) ALUMINUM ASTM B209	1906
.09 (304) STAINLESS STEEL ASTM A240	1916

PART NAME 2" SCH40 PIPE TYPE "A" COPED WELDING CONNECTOR				
MATERIAL 12 GA. (.105) HRP&D STEEL ASTM A569				
DATE 5/21/01	 <b>THE WAGNER COMPANIES</b> R & B WAGNER, INC. AND J. G. BRAUN CO.			
DRAWN BY RJF		SIZE A	WEIGHT .17 LBS	PART NUMBER 1896
FINISH MILL				REV