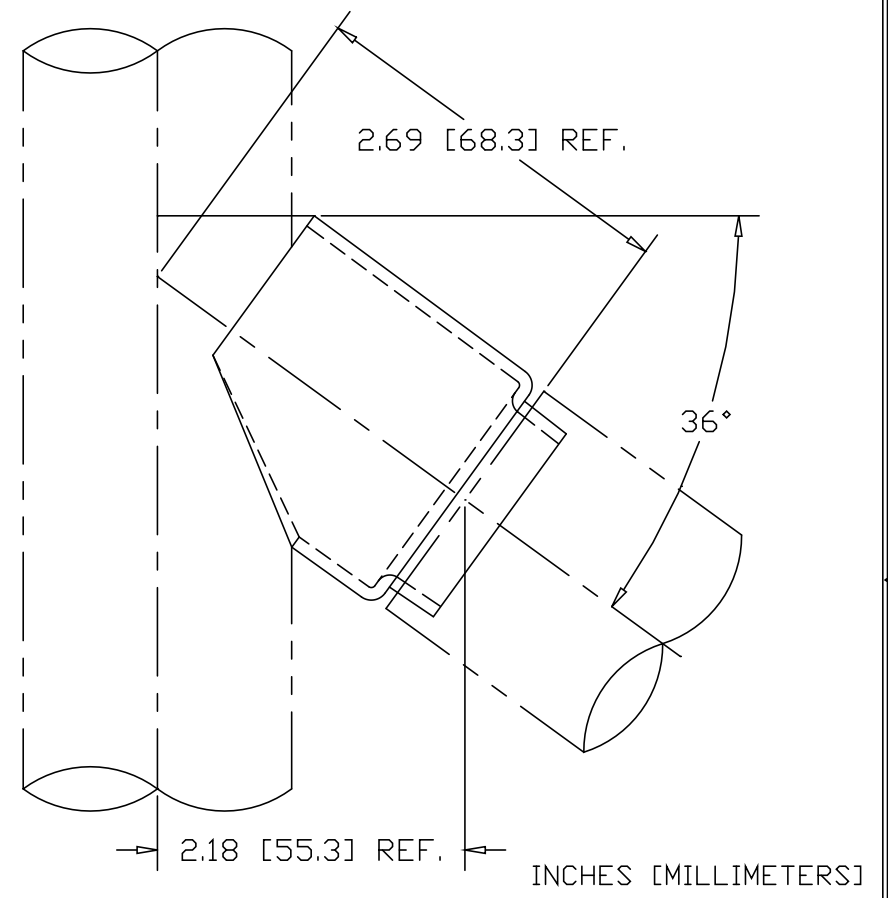
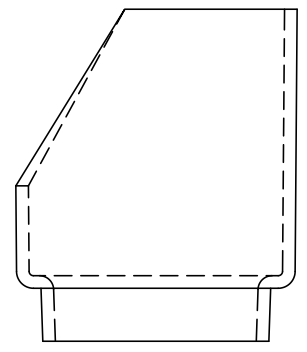
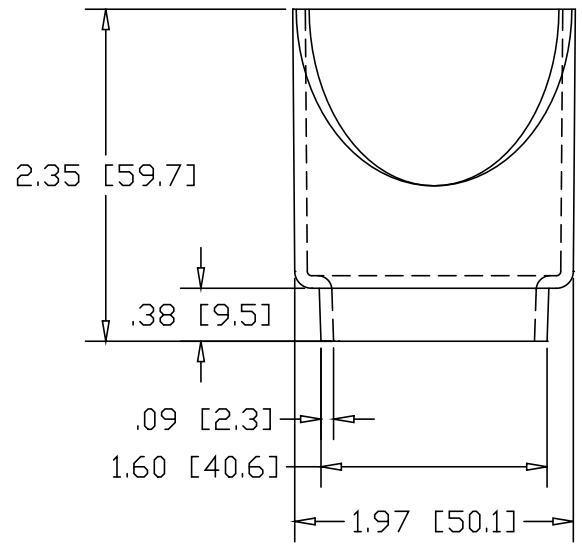
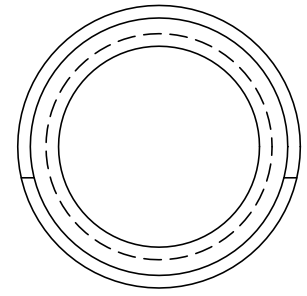
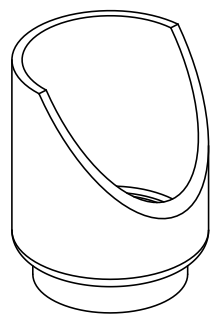



REVISIONS			
REV	DESCRIPTION	DATE	APPROVED



ALTERNATE MATERIAL	PART NO.
.09 (3003) ALUM. ASTM B209	1881

PART NAME 1-1/2" SCH 40 PIPE 36° TYPE "D" COPED WELDING CONNECTOR			
MATERIAL 13 GA. (.089) HRP&D STEEL ASTM A569			
DATE 10/30/01	 <b>THE WAGNER COMPANIES</b> R & B WAGNER, INC. AND J. G. BRAUN CO.		
DRAWN BY JAH		SIZE A	WEIGHT .27 LBS.
FINISH MILL			REV