

REV

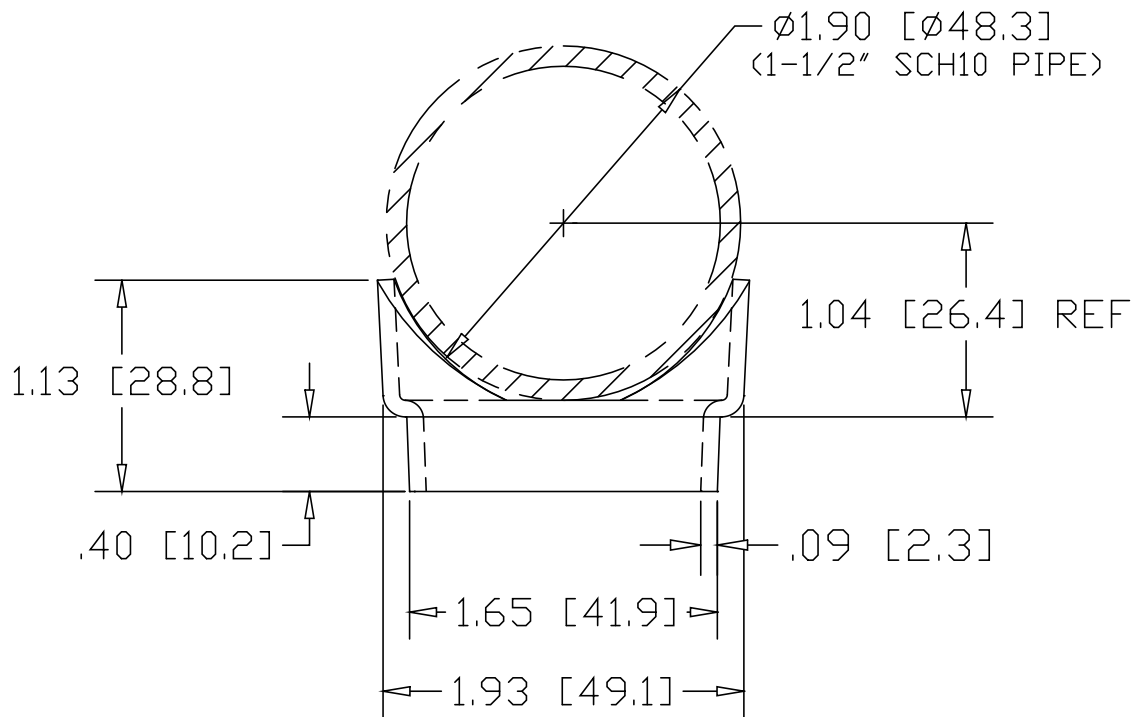
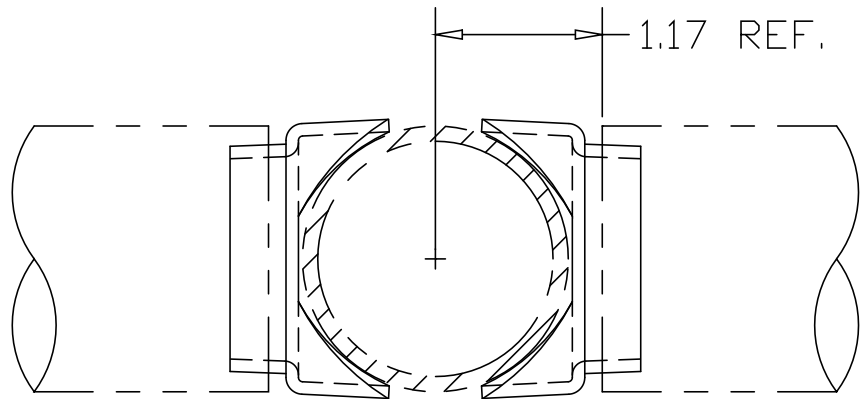
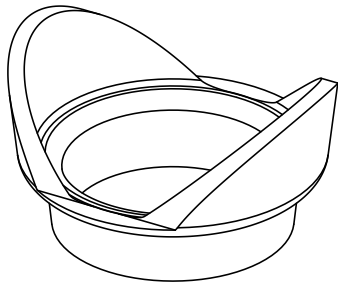
SH

1834-L


DWG NO

REVISIONS

REV	DESCRIPTION	DATE	APPROVED
-----	-------------	------	----------



INCHES [MILLIMETERS]

PART NAME 1-1/2" SCH10 PIPE TYPE "A" COPED WELDING CONNECTOR			
MATERIAL 13 GA. (.089) HRP&D STEEL ASTM A569			
DATE 10/30/01	 <b>R &amp; B WAGNER, INC.</b>		
DRAWN BY JAH			
FINISH MILL	SIZE A	WEIGHT .10 LBS	PART NUMBER 1834-L
			REV