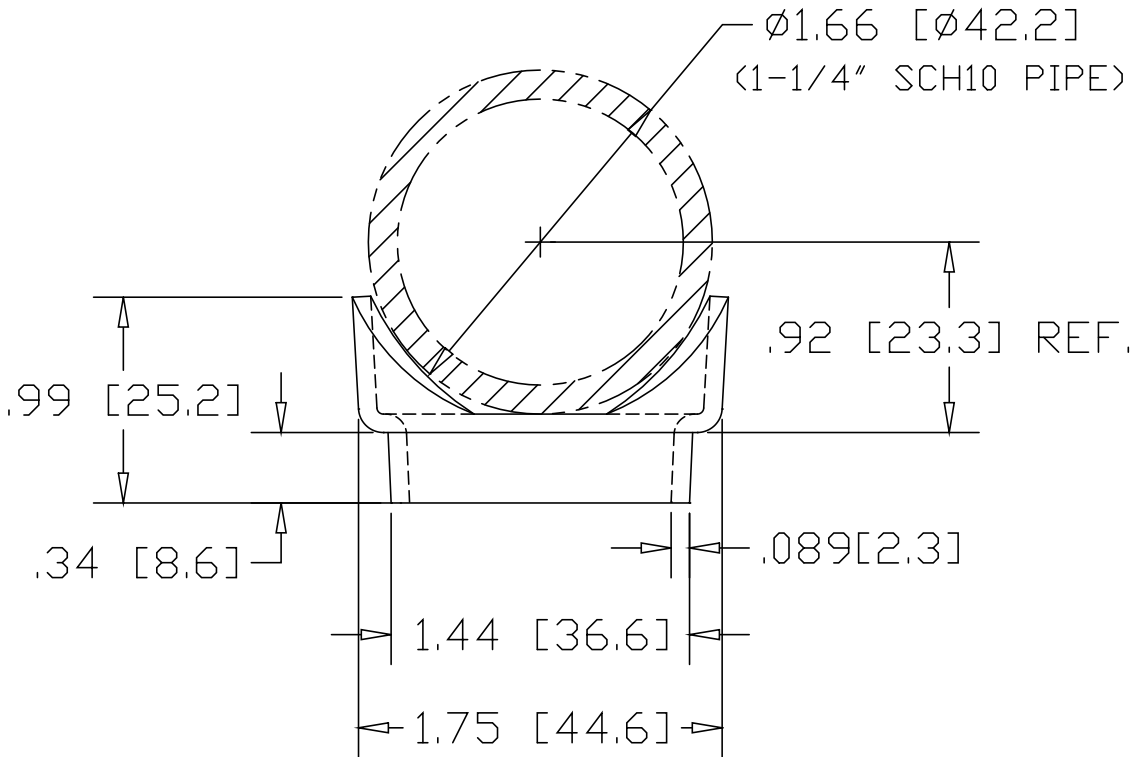
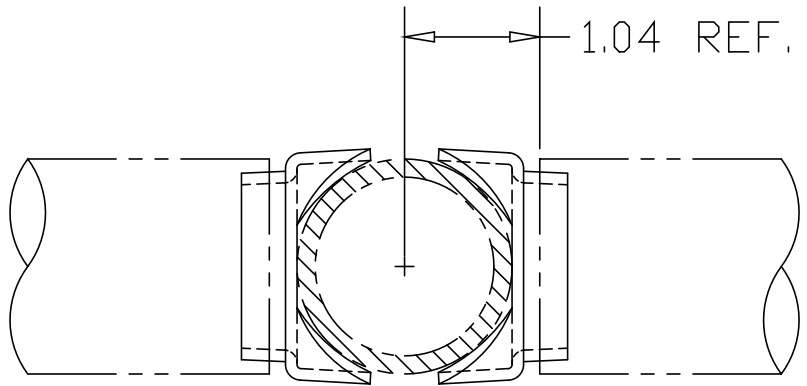
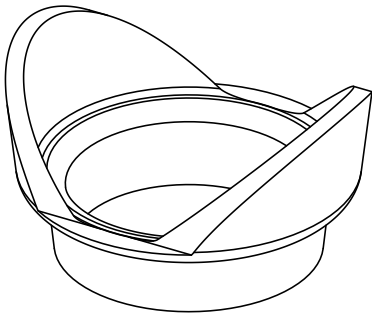



REV  
SH  
1822-L  
DWG NO

REVISIONS			
REV	DESCRIPTION	DATE	APPROVED



INCHES [MILLIMETERS]

PART NAME 1-1/4" SCH10 PIPE TYPE "A" COPED WELDING CONNECTOR			
MATERIAL 13 GA. (.089) HRP&D STEEL ASTM A569			
DATE 10/24/01	 <b>R &amp; B WAGNER, INC.</b>		
DRAWN BY JAH			
FINISH MILL	SIZE A	WEIGHT .08 LBS	PART NUMBER 1822-L
			REV