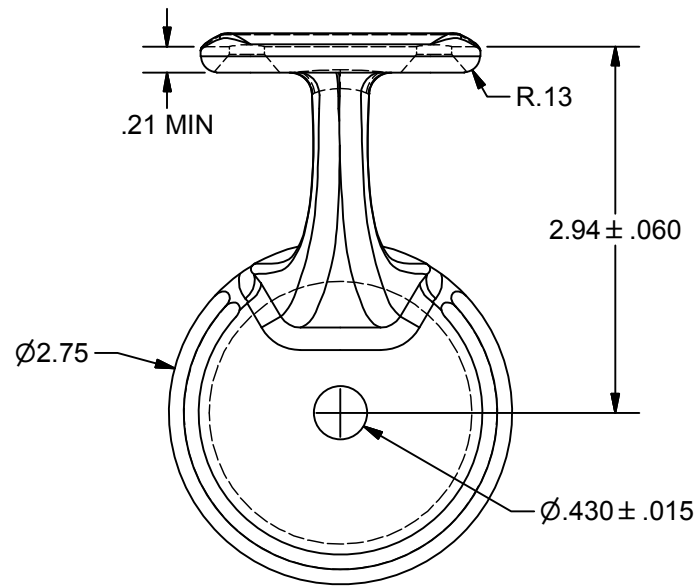
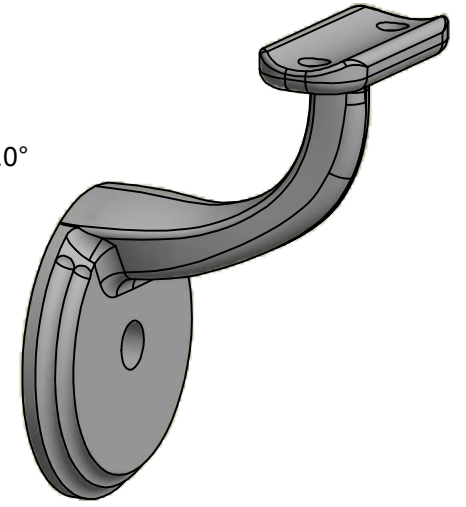
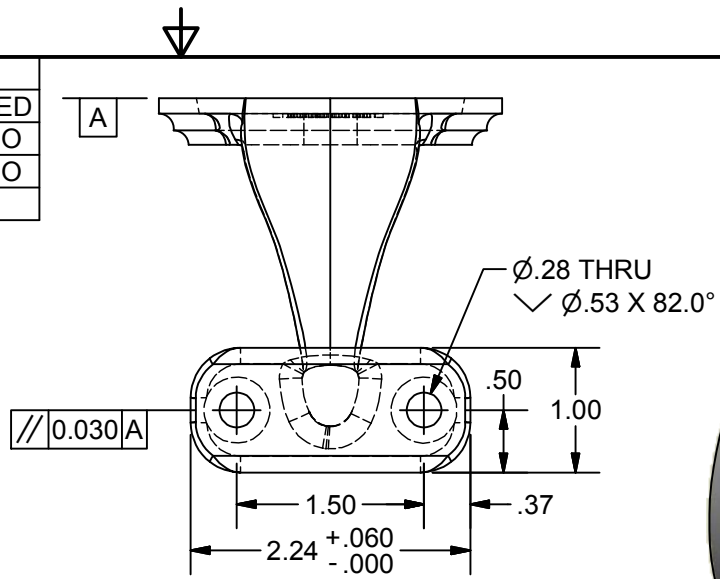
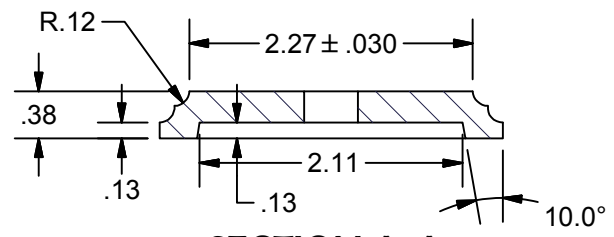
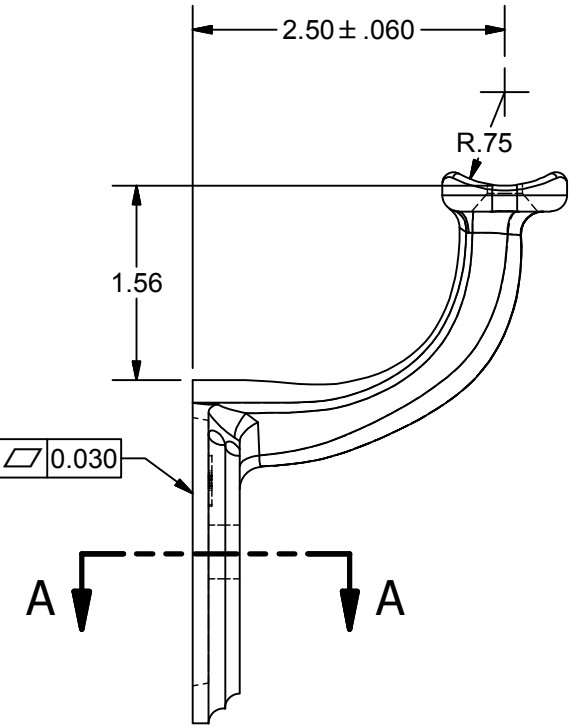
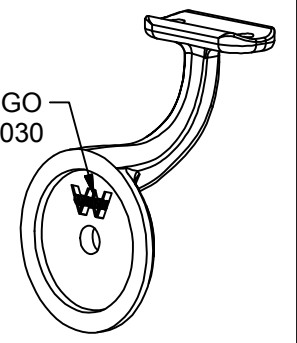


REVISION HISTORY

REV	DESCRIPTION	DATE	APPROVED
1	SADDLE THICKNESS .21 WAS .18	09/09/13	K. TURDO
2	INCREASED HOLE TOLERANCES	11/18/13	K. TURDO
3	REDRAWN	06/19/15	RJF



WAGNER LOGO  
RECESSED .030



SECTION A-A

NAME		2.50" TRADITIONAL CAST HANDRAIL BRACKET		
MATERIAL		304 STAINLESS STEEL ASTM A276-304		
DATE	5/25/2010	COLLABORATIVE METAL WORKS		
DRAWN	RJF			
FINISH				
#4 SATIN	A			
SIZE	WEIGHT	PART NUMBER	REV	
A	.860 LBS	1815	3	