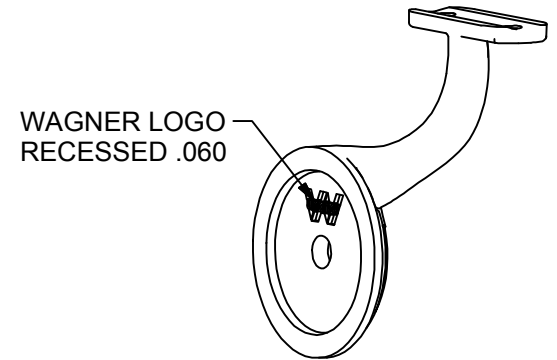
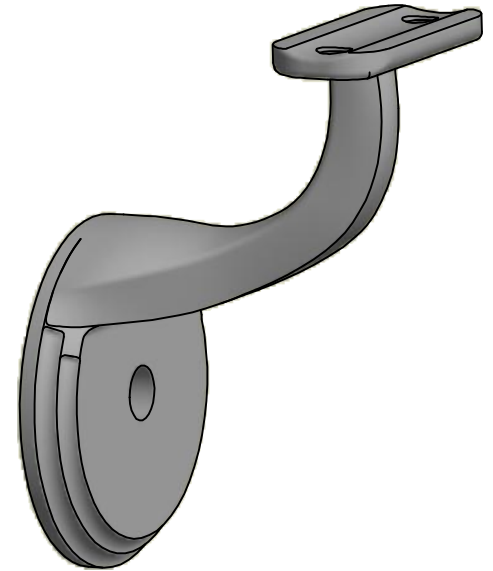



SECTION A-A



NAME		2-1/2" TRADITIONAL CAST HANDRAIL BRACKET, FLAT SADDLE			
MATERIAL		424 BRONZE			
DATE	3/7/2013	 THE WAGNER COMPANIES R & B WAGNER, INC. AND J. G. BRAUN CO.			
DRAWN	RJF				
FINISH	#4 SATIN				
SIZE	A	WEIGHT	.82 LBS	PART NUMBER	1813F
				REV	