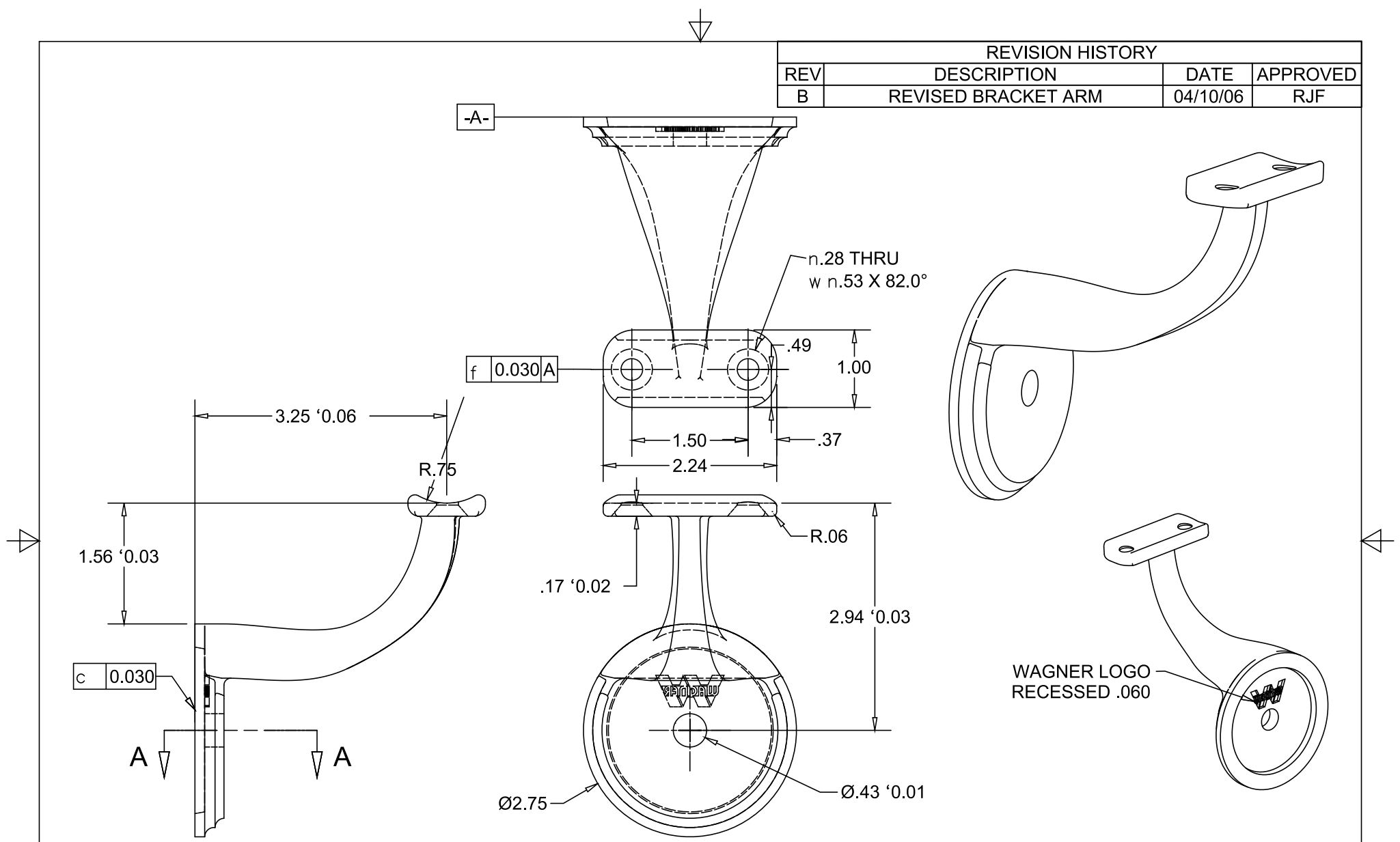



REVISION HISTORY			
REV	DESCRIPTION	DATE	APPROVED
B	REVISED BRACKET ARM	04/10/06	RJF



NAME 3-1/4" LIGHT WEIGHT CAST HANDRAIL BRACKET 1-1/2" RISE			
MATERIAL CAST ALUMINUM ALMAG B535.2 ASTM B26			
DATE 6/14/2005	 <b>THE WAGNER COMPANIES</b> R & B WAGNER, INC. AND J. G. BRAUN CO.		
DRAWN RJF			
FINISH #4 SATIN	SIZE <b>A</b>	WEIGHT .26 LBS	PART NUMBER <b>1806</b>
			REV <b>B</b>