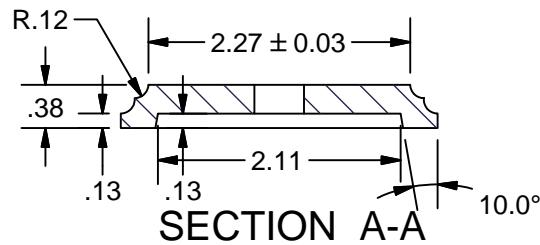
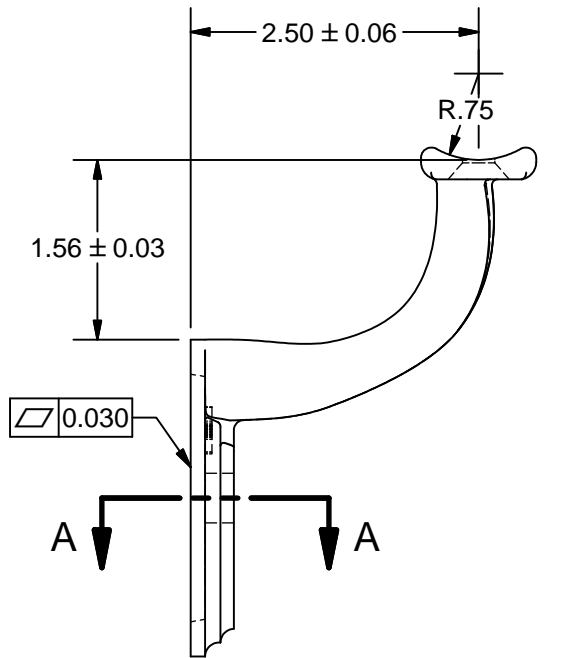
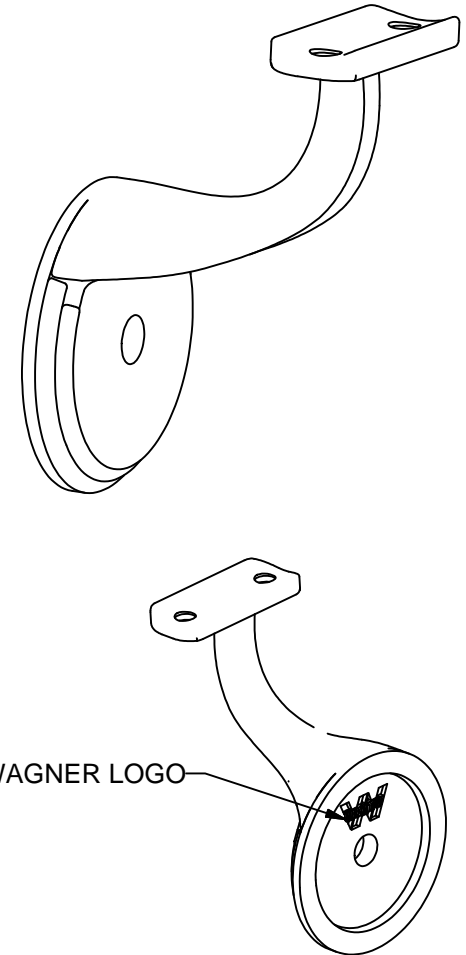
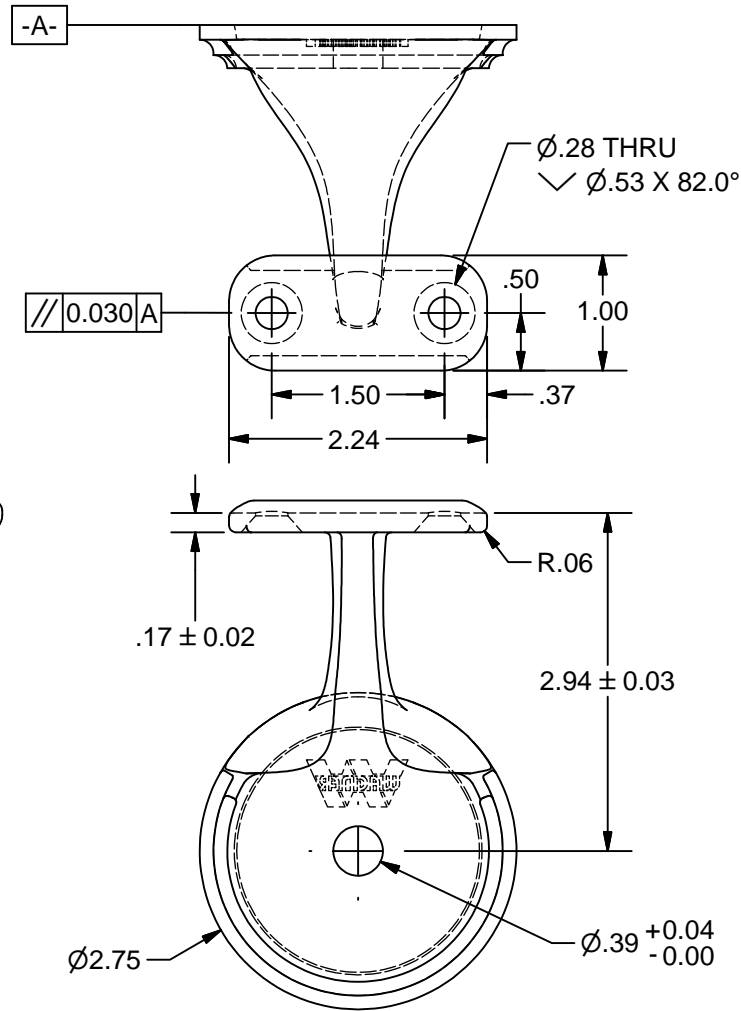



REVISION HISTORY

REV	DESCRIPTION	DATE	APPROVED
B	REVISED BRACKET ARM	3/29/2006	RJF
C	CENTER HOLE WAS .43 +/- .010	9/16/2016	KGB



NAME		2-1/2" TRADITIONAL CAST HANDRAIL BRACKET 1-1/2" RISE					
MATERIAL		CAST ALUMINUM ALMAG B535.2 ASTM B26					
DATE	6/14/2005	 <b>THE WAGNER COMPANIES</b> R & B WAGNER, INC. AND J. G. BRAUN CO.					
DRAWN	RJF						
FINISH	#4 SATIN						
SIZE	A	WEIGHT	.22 LBS	PART NUMBER	1805	REV	C