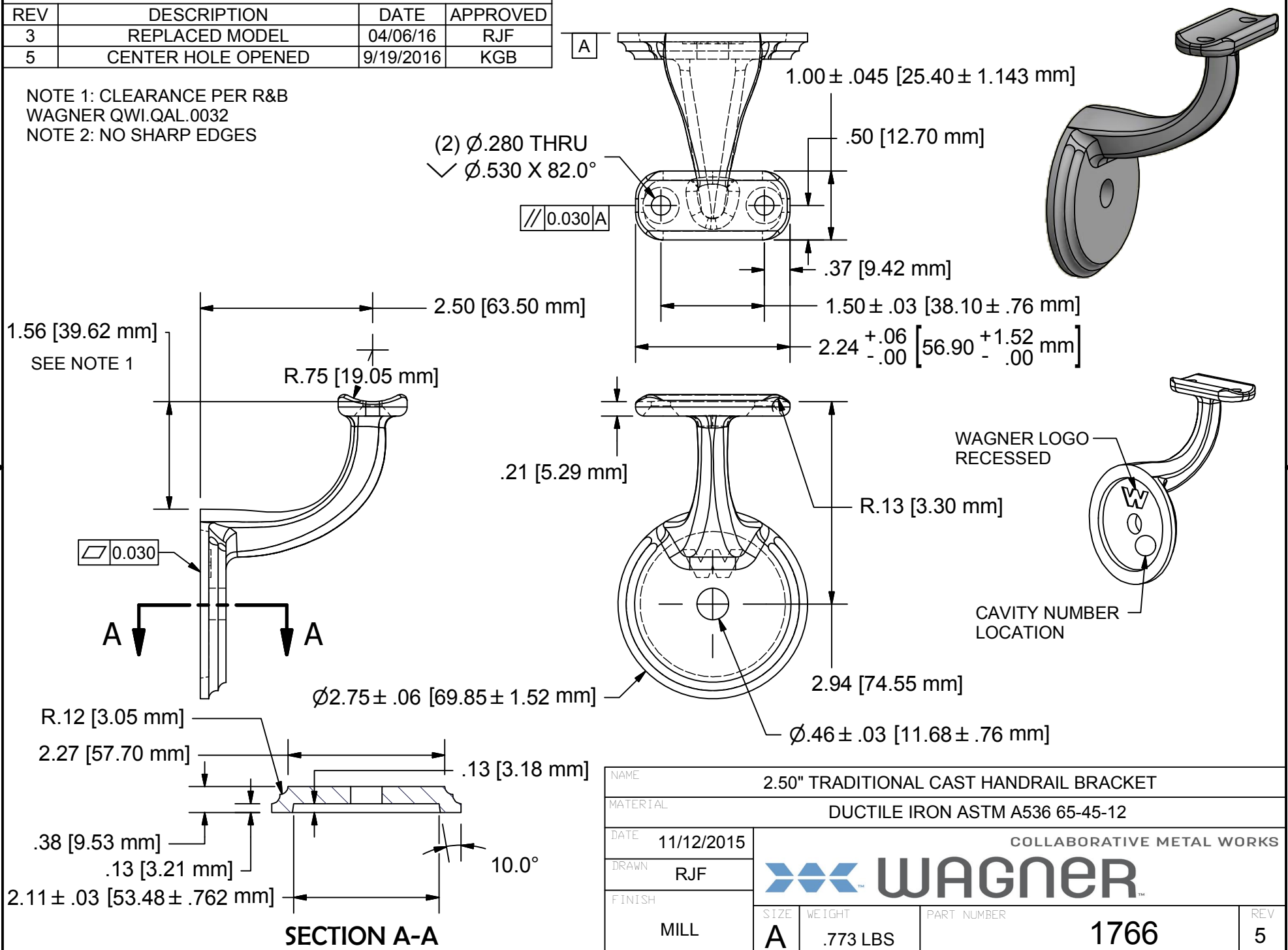


REVISION HISTORY

| REV | DESCRIPTION        | DATE      | APPROVED |
|-----|--------------------|-----------|----------|
| 3   | REPLACED MODEL     | 04/06/16  | RJF      |
| 5   | CENTER HOLE OPENED | 9/19/2016 | KGB      |

NOTE 1: CLEARANCE PER R&B  
WAGNER QWI.QAL.0032  
NOTE 2: NO SHARP EDGES



|          |            |                                         |          |             |      |     |   |
|----------|------------|-----------------------------------------|----------|-------------|------|-----|---|
| NAME     |            | 2.50" TRADITIONAL CAST HANDRAIL BRACKET |          |             |      |     |   |
| MATERIAL |            | DUCTILE IRON ASTM A536 65-45-12         |          |             |      |     |   |
| DATE     | 11/12/2015 | COLLABORATIVE METAL WORKS               |          |             |      |     |   |
| DRAWN    | RJF        |                                         |          |             |      |     |   |
| FINISH   | MILL       |                                         |          |             |      |     |   |
| SIZE     | A          | WEIGHT                                  | .773 LBS | PART NUMBER | 1766 | REV | 5 |