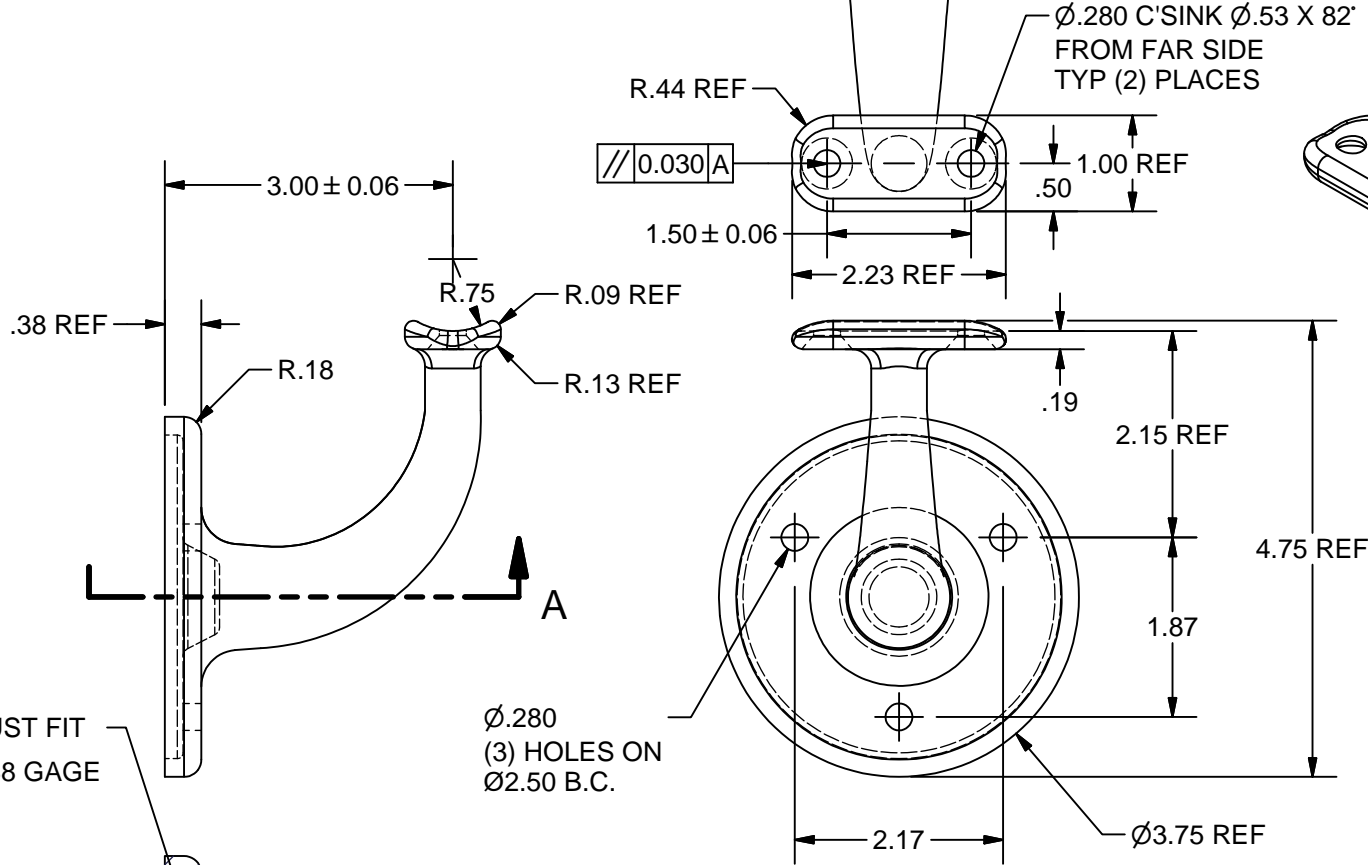
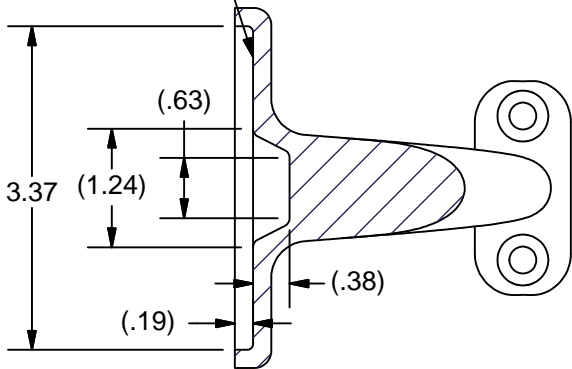


- A - 0.030

REVISION HISTORY			
REV	DESCRIPTION	DATE	APPROVED
A	REDRAWN	2/4/2016	RJF



CAVITY MUST FIT Ø3.19 X .188 GAGE



SECTION A-A

NAME					3" CAST HANDRAIL BRACKET WITH UNIVERSAL SADDLE					
MATERIAL					(304) STAINLESS STEEL					
DATE		7/27/2006			COLLABORATIVE METAL WORKS WAGNER					
DRAWN		RJF								
FINISH		#4 SATIN			SIZE		WEIGHT		PART NUMBER	
					A		1.733 lbs		1733	
									REV A	

