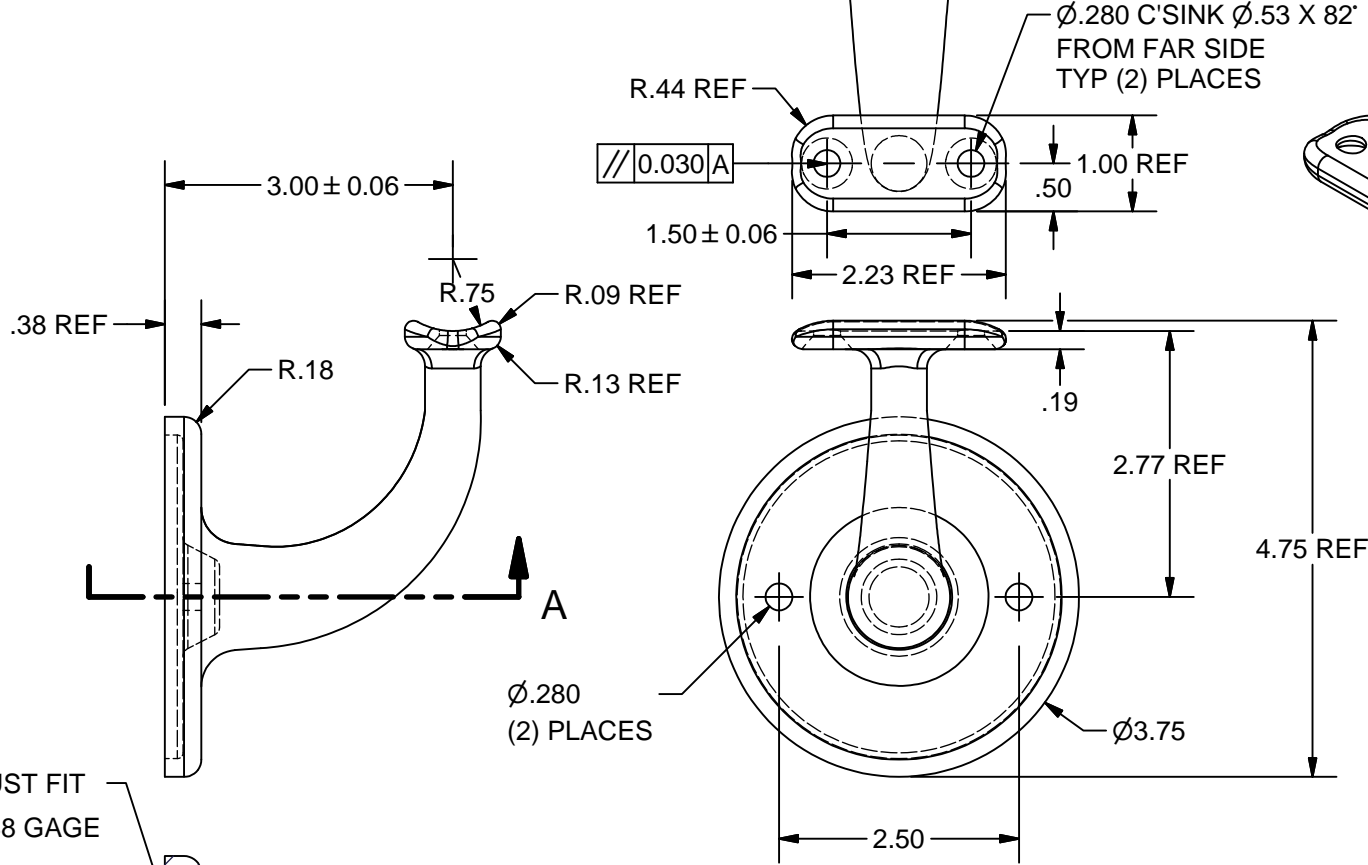
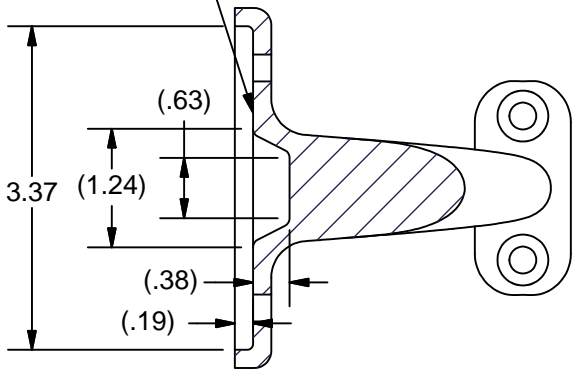


- A - 0.030


REVISION HISTORY			
REV	DESCRIPTION	DATE	APPROVED
A	REDRAWN	2/4/2016	RJF



CAVITY MUST FIT Ø3.19 X .188 GAGE



SECTION A-A

NAME					3" CAST HANDRAIL BRACKET WITH UNIVERSAL SADDLE					
MATERIAL					(304) STAINLESS STEEL					
DATE		7/27/2006			COLLABORATIVE METAL WORKS					
DRAWN		RJF								
FINISH		#4 SATIN		SIZE		WEIGHT		PART NUMBER		REV
				A		1.736 lbs		1731		A

