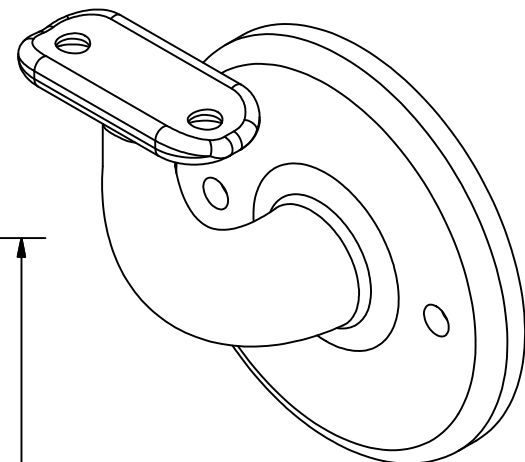
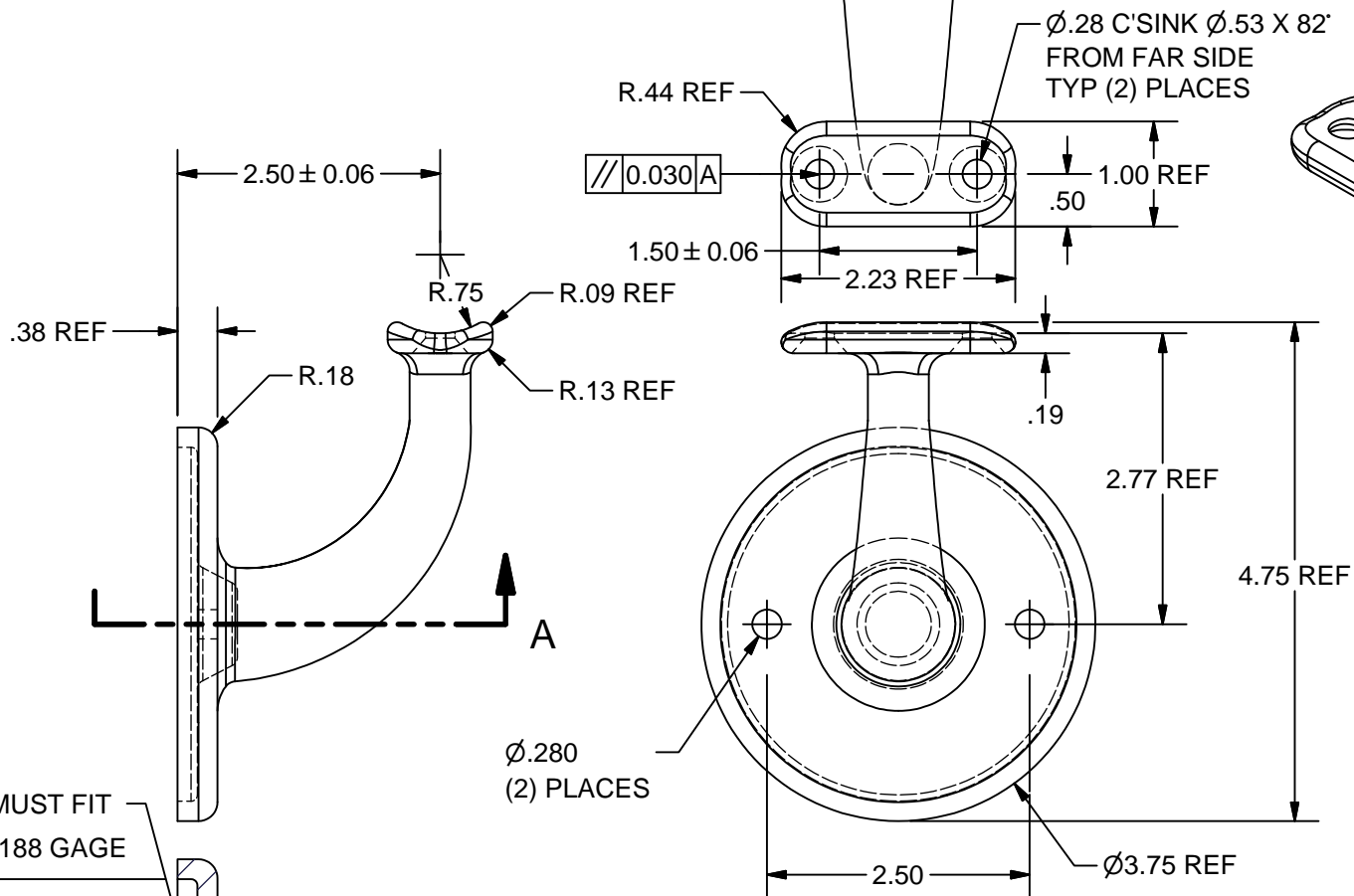
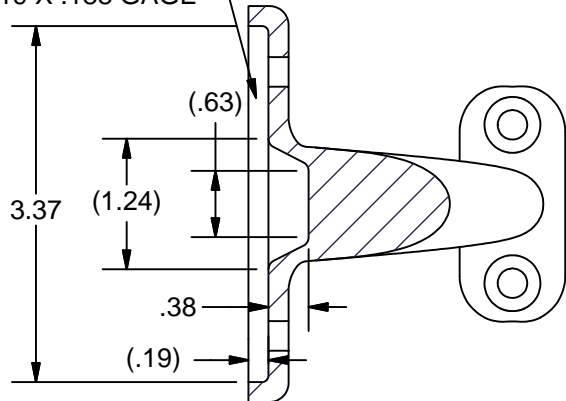


- A - \square 0.030

REVISION HISTORY			
REV	DESCRIPTION	DATE	APPROVED
A	REDRAWN	2/4/2016	RJF



CAVITY MUST FIT
 ϕ 3.19 X .188 GAGE



SECTION A-A

NAME				2-1/2" CAST HANDRAIL BRACKET WITH UNIVERSAL SADDLE			
MATERIAL				(304) STAINLESS STEEL			
DATE		7/27/2006		COLLABORATIVE METAL WORKS 			
DRAWN		RJF					
FINISH		#4 SATIN		SIZE	WEIGHT	PART NUMBER	REV
				A	1.550 lbs	1731-2	A