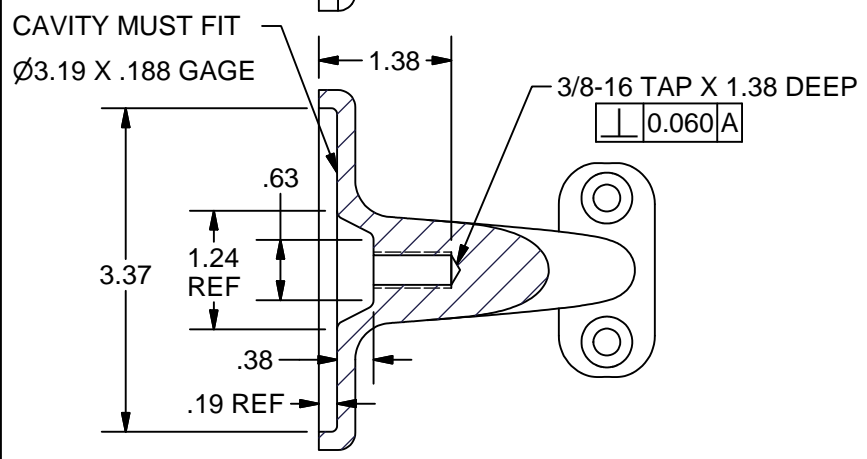
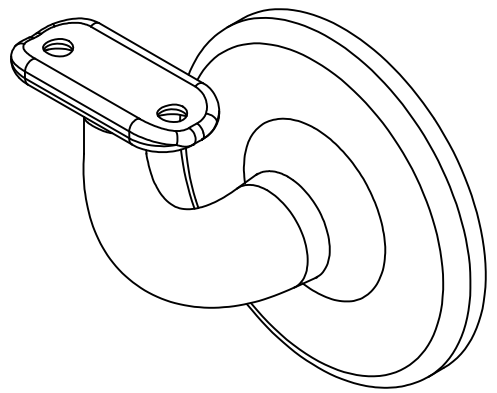
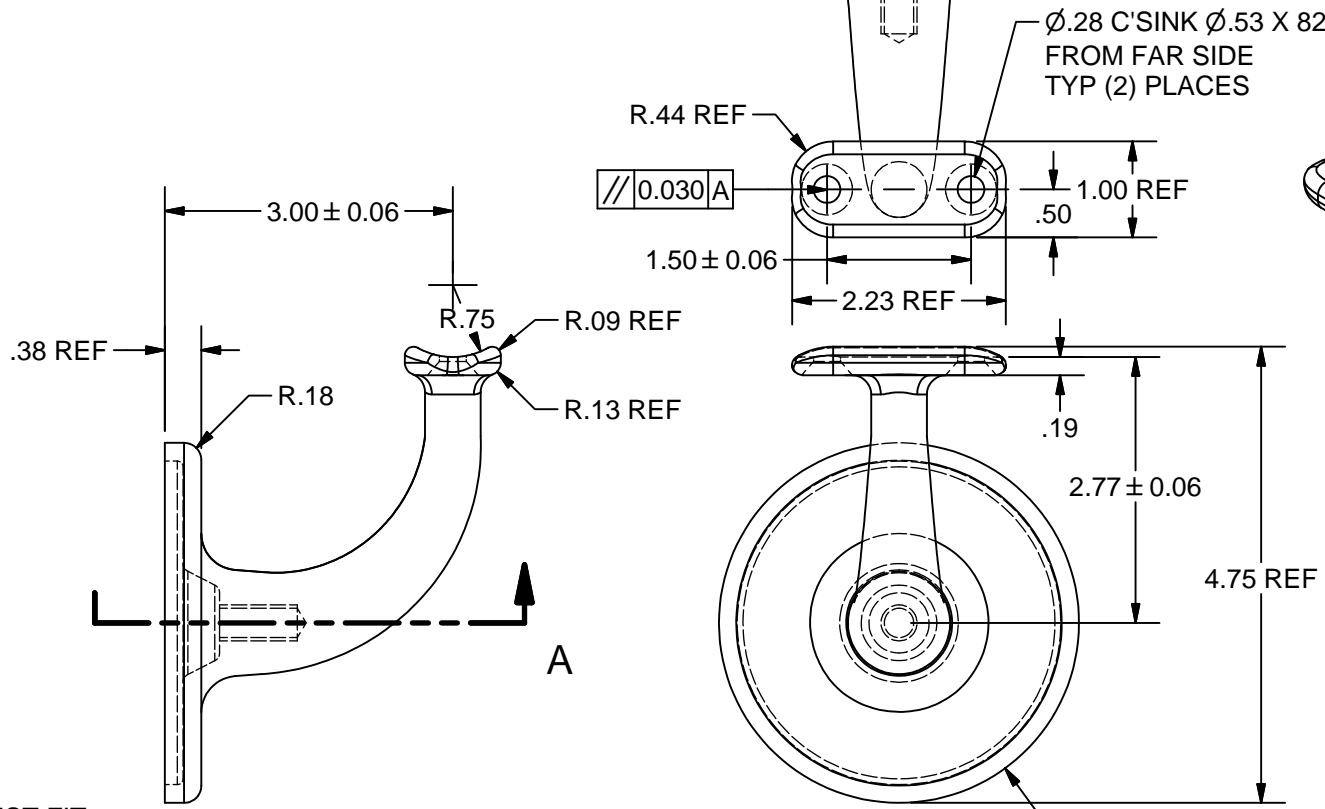


- A - 0.030

REVISION HISTORY			
REV	DESCRIPTION	DATE	APPROVED
A	REDRAWN	2/3/2016	RJF



SECTION A-A

NAME					3" CAST HANDRAIL BRACKET WITH UNIVERSAL SADDLE				
MATERIAL					(304) STAINLESS STEEL ASTM A743				
DATE		7/27/2006			COLLABORATIVE METAL WORKS				
DRAWN		RJF							
FINISH		#4 SATIN							
SIZE	WEIGHT	PART NUMBER			REV				
A	1.726 lbs	1729			A				

