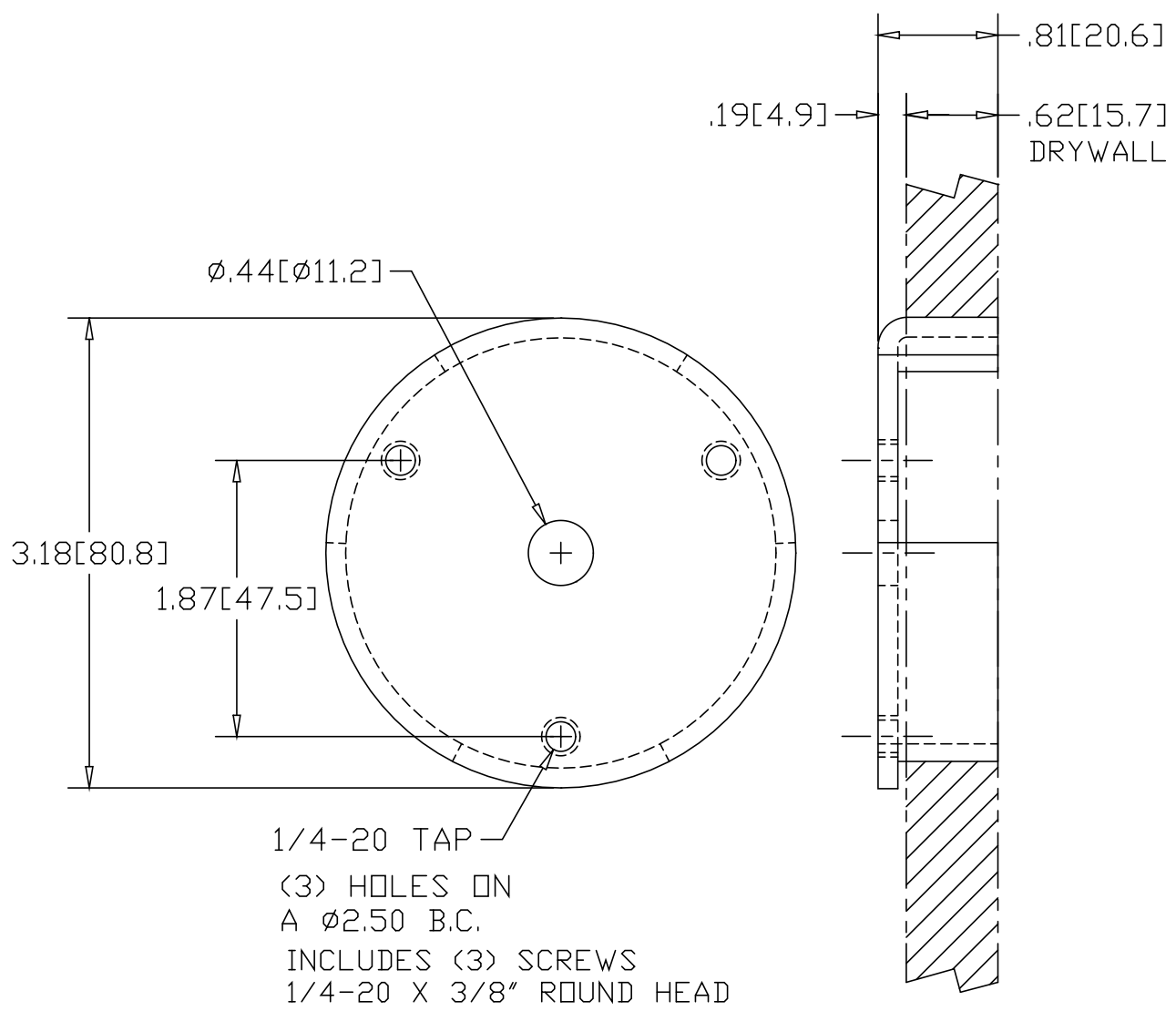


REV
SH
1722
DWG NO


REVISIONS			
REV	DESCRIPTION	DATE	APPROVED



1/4-20 TAP
(3) HOLES ON
A $\phi 2.50$ B.C.
INCLUDES (3) SCREWS
1/4-20 X 3/8" ROUND HEAD

*USE WITH HEAVY CAST "U" STYLE HANDRAIL BRACKETS WITH (3) MOUNTING HOLES

ALTERNATE MATERIAL	PART NUMBER
.125 (3003) ALUMINUM ASTM B209	1754A

PART NAME UNIVERSAL PLASTER FILLER FOR 5/8" DRYWALL			
MATERIAL 10 GA. HRP&D STEEL ASTM A569			
DATE 11/18/98		THE WAGNER COMPANIES R & B WAGNER, INC. AND J. G. BRAUN CO.	
DRAWN BY RJF			
FINISH MILL			
SIZE A	WEIGHT .4 LBS	PART NUMBER 1722	REV