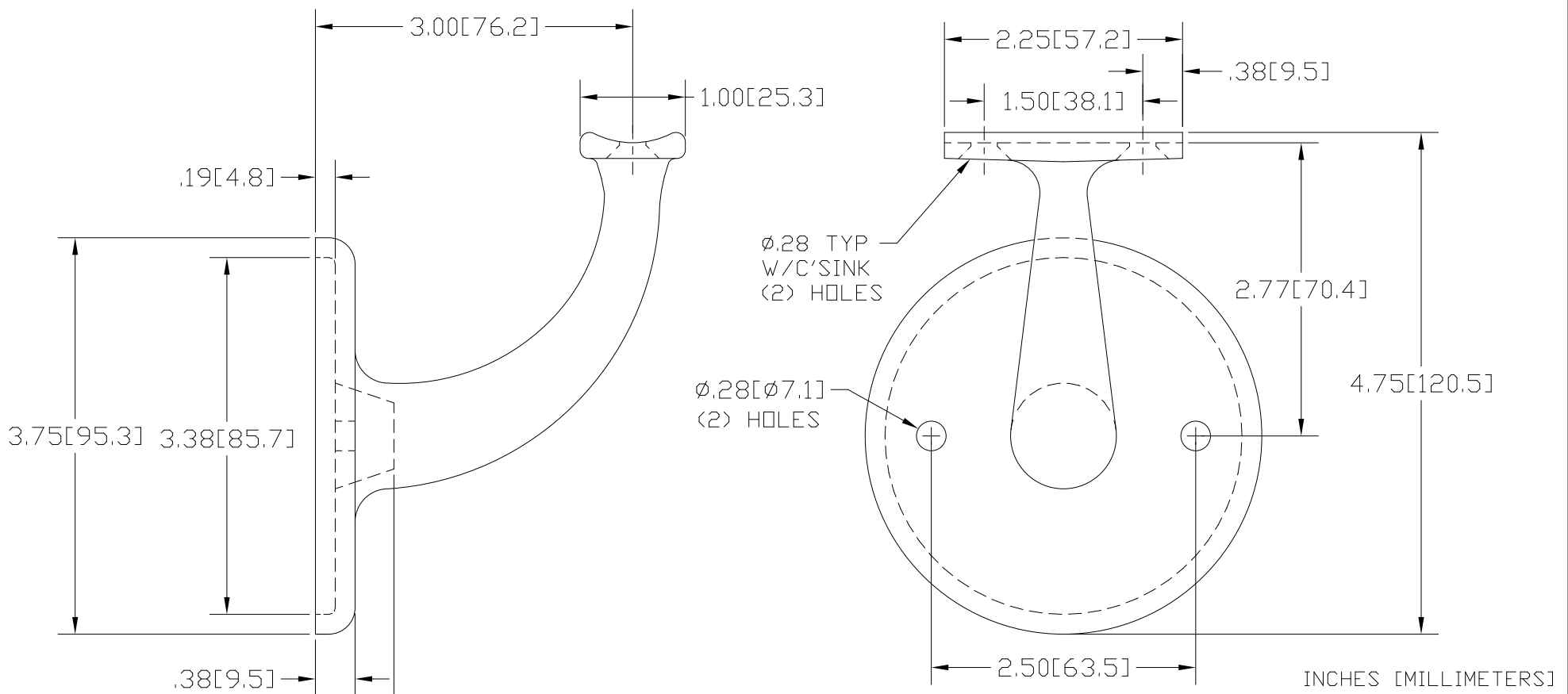



REVISIONS			
REV	DESCRIPTION	DATE	APPROVED



* USE WITH ANCHOR PLATE #B1416 FOR STEEL
 * USE WITH ANCHOR PLATE #B1516 FOR STAINLESS

*NOTE: BRACKETS IN ALUMINUM, STAINLESS, BRONZE AND BRASS HAVE #4 SATIN FINISH.

ALTERNATE MATERIAL	PART NO.
ALMAG 535.2 ALUMINUM ASTM B26	1717 ANODIZED 1717AN
(304) STAINLESS STEEL ASTM A743	1731
(424) BRONZE ASTM C86300	1742
(405.1) BRASS ASTM C85800	1703BRS

PART NAME				3" CAST HANDRAIL BRACKET W/ (2) MOUNTING HOLES			
MATERIAL				MALLEABLE IRON CASTING ASTM A47-74			
DATE		10/31/95				THE WAGNER COMPANIES R & B WAGNER, INC. AND J. G. BRAUN CO.	
DRAWN BY		RJF					
FINISH		SHOT BLASTED		SIZE		PART NUMBER	
*SEE NOTE		A		WEIGHT (IN STEEL)		1703	
		1.48 LBS				REV	