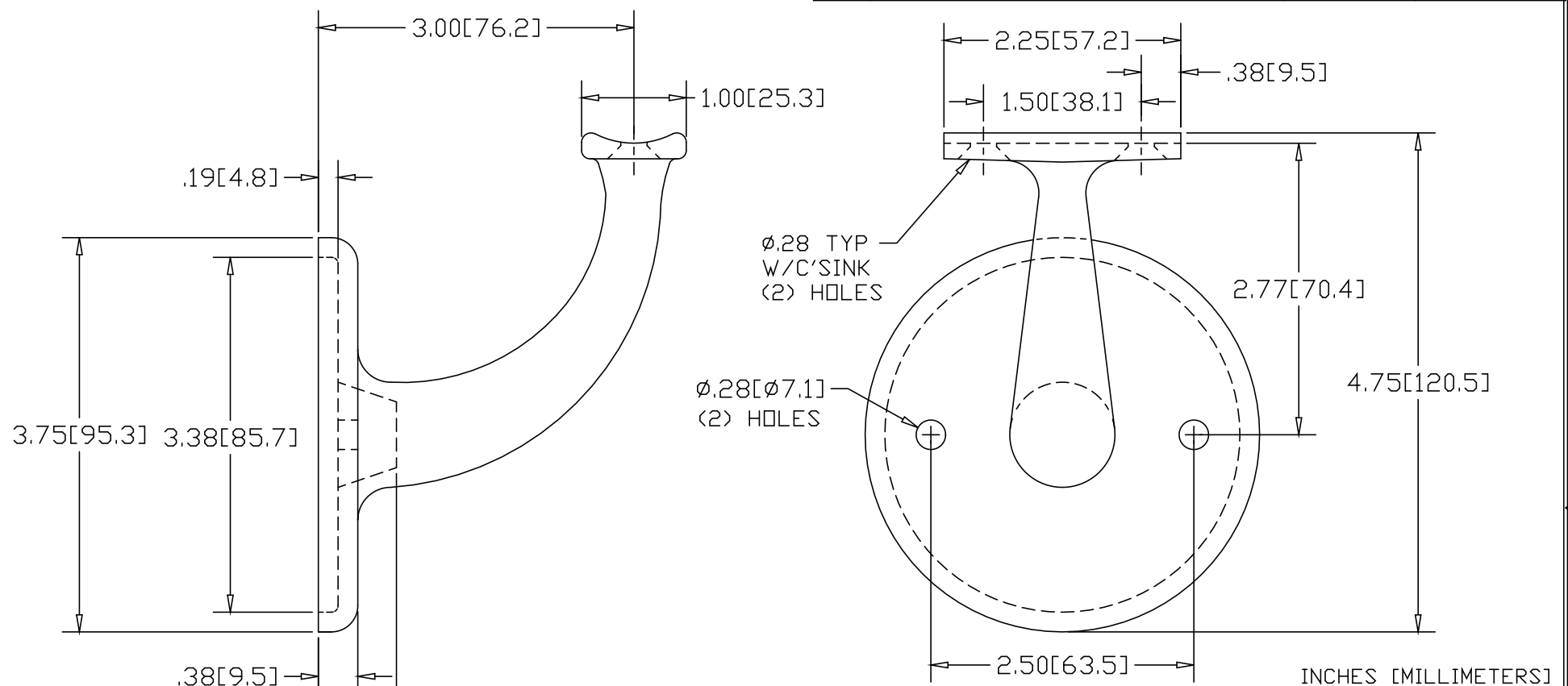


REVISIONS			
REV	DESCRIPTION	DATE	APPROVED




Ø.28 TYP
W/C SINK
(2) HOLES

Ø.28 [Ø7.1]
(2) HOLES

INCHES [MILLIMETERS]

ALTERNATE MATERIAL	PART NO.
ALMAG 535.2 ALUMINUM ASTM B26	1717 ANODIZED 1717AN
(304) STAINLESS STEEL ASTM A743	1731
(424) BRONZE ASTM C86300	1742
(405.1) BRASS ASTM C85800	1703BRS

PART NAME		3" CAST HANDRAIL BRACKET W/ (2) MOUNTING HOLES		
MATERIAL		MALLEABLE IRON CASTING ASTM A47-74		
DATE	10/31/95	 THE WAGNER COMPANIES R & B WAGNER, INC. AND J. G. BRAUN CO.		
DRAWN BY	RJF		SIZE	WEIGHT (IN STEEL)
FINISH	SHOT BLASTED	A	1.48 LBS	1703
*NOTE: BRACKETS IN ALUMINUM, STAINLESS, BRONZE AND BRASS HAVE #4 SATIN FINISH.		*SEE NOTE		REV