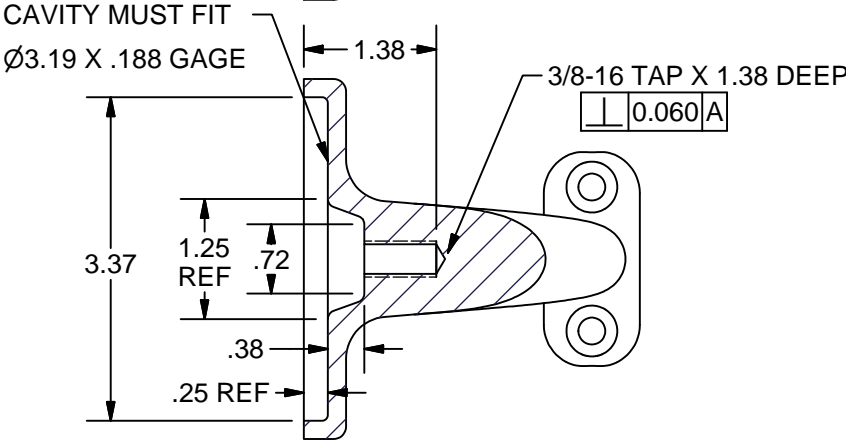
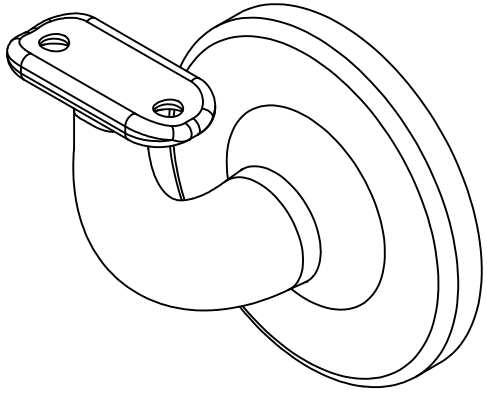
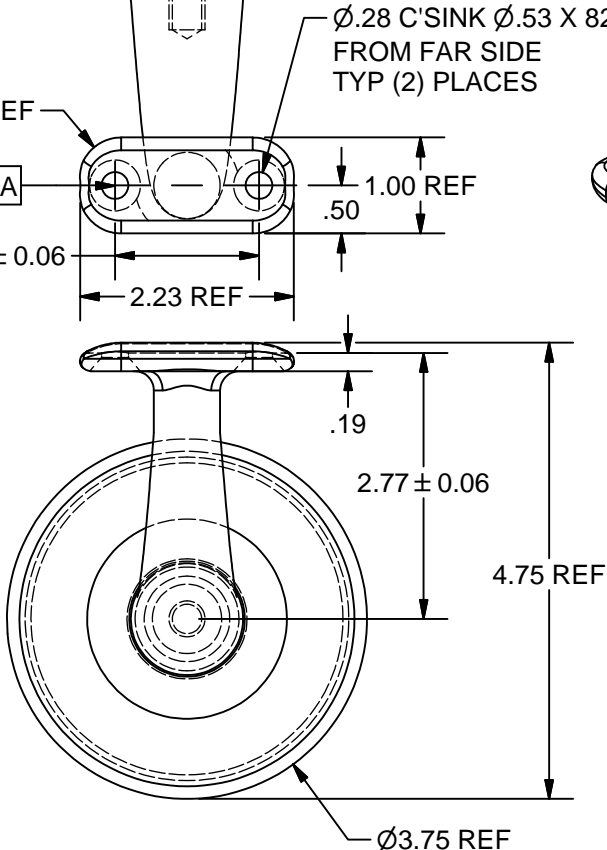
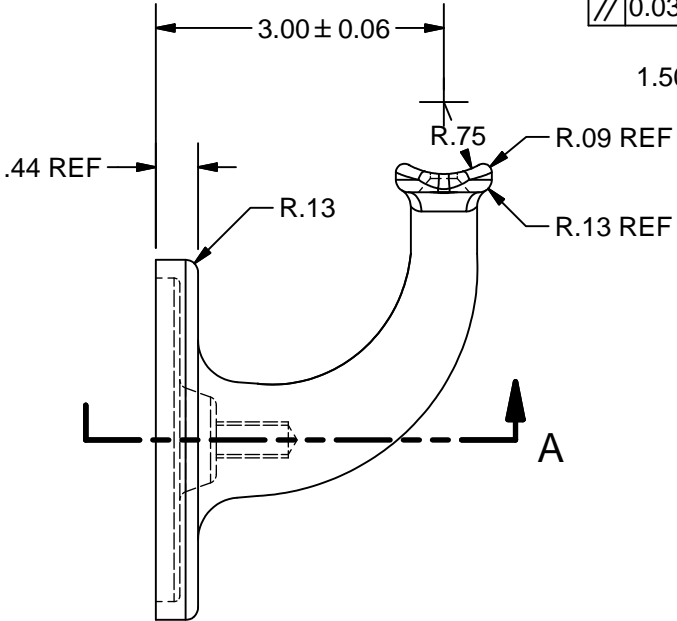


- A - 0.060

Ø.28 C'SINK Ø.53 X .82'
FROM FAR SIDE
TYP (2) PLACES

0.030 A



SECTION A-A

NAME					3" CAST HANDRAIL BRACKET WITH UNIVERSAL SADDLE				
MATERIAL					CAST ALUMINUM ALLOY 535				
DATE		7/27/2006			COLLABORATIVE METAL WORKS				
DRAWN		RJF							
FINISH		#4 SATIN							
SIZE	WEIGHT	PART NUMBER			REV				
A	.579 LBS	1715			-				