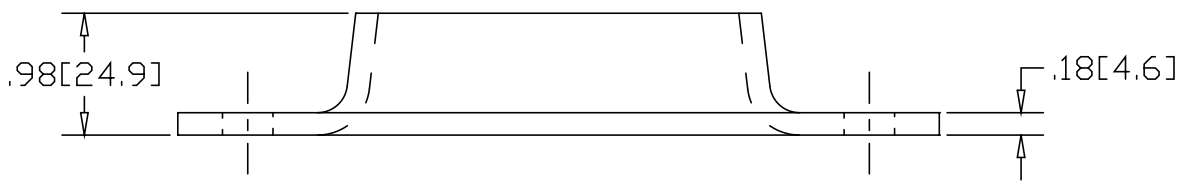
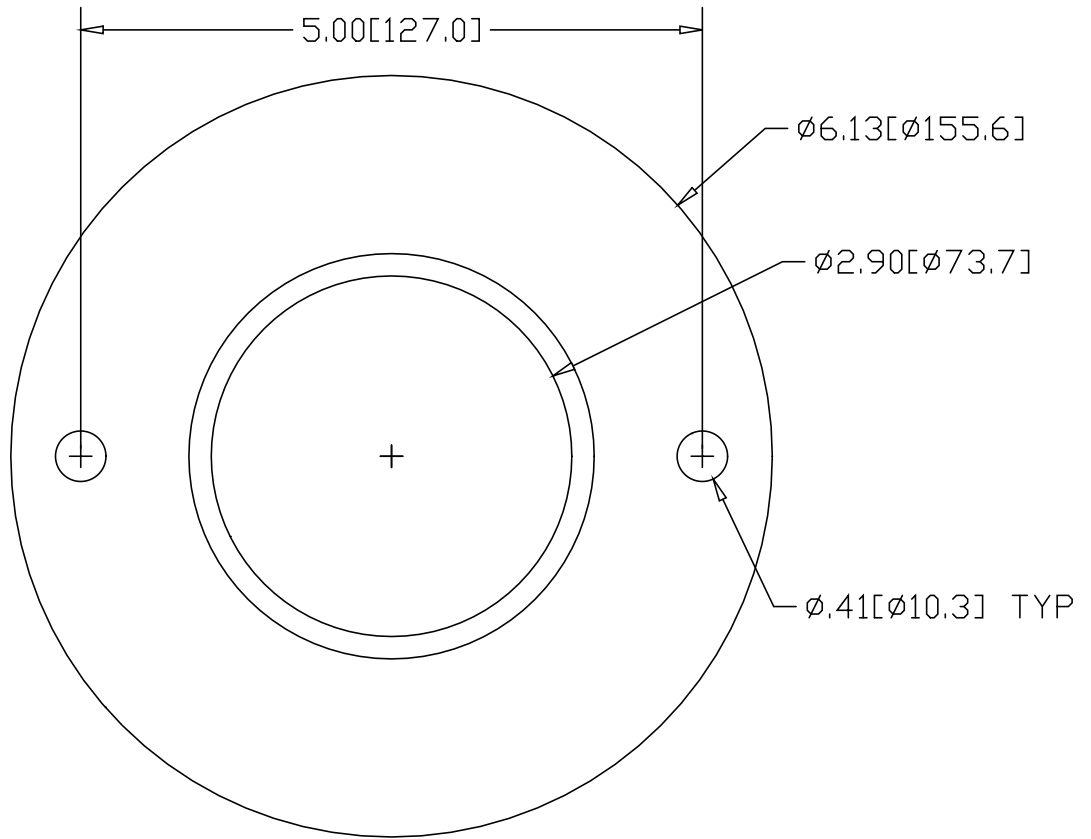


REV  
SH  
1681  
DWG NO


REVISIONS			
REV	DESCRIPTION	DATE	APPROVED



INCHES [MILLIMETERS]

\*USE WITH ANCHOR PLATE  
#B1688 IN STEEL  
#B1698 IN ALUMINUM

ALTERNATE MATERIAL	PART NUMBER
.19 (3003) ALUMINUM ASTM B-209	1691

PART NAME		2-1/2" PIPE SIZE EXTRA HEAVY FLANGE W/(2) HOLES		
MATERIAL		7 GA. HRP&D STEEL ASTM A-569		
DATE	3/3/95	 <b>R &amp; B WAGNER, INC.</b>		
DRAWN BY	RJF			
FINISH	MILL	SIZE	WEIGHT	PART NUMBER
		A	1.33 LBS	1681
				REV