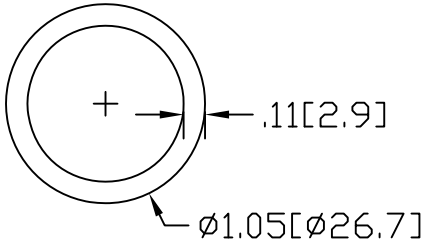
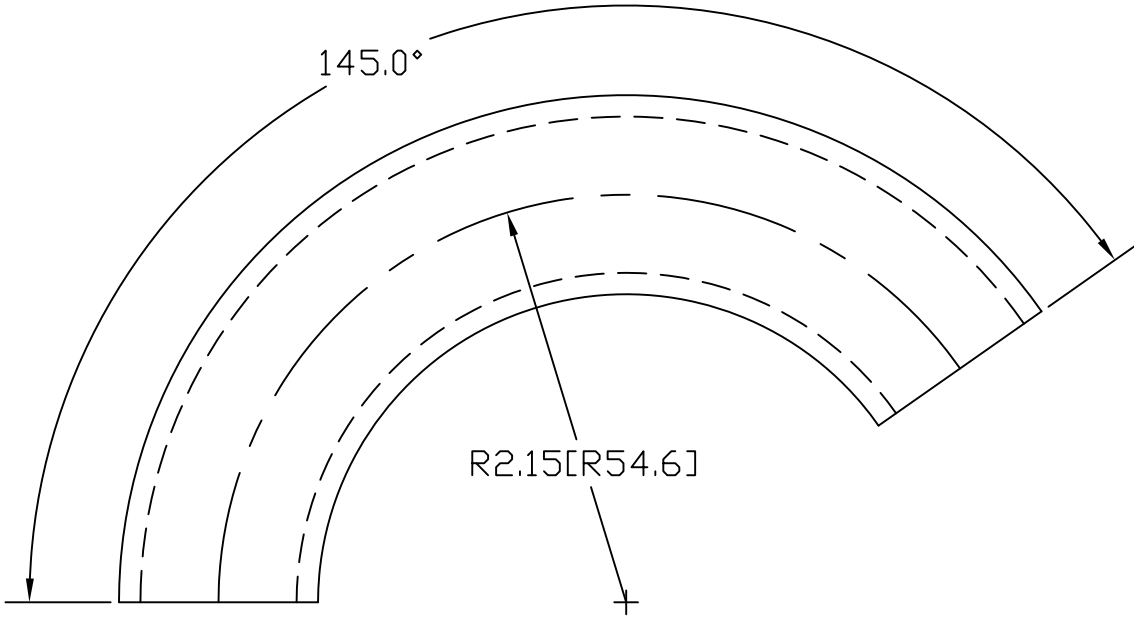



REV
SH
158-1
DWG NO

| REVISIONS | | | |
|-----------|-------------|------|----------|
| REV | DESCRIPTION | DATE | APPROVED |



INCHES [MILLIMETERS]

| ALTERNATE MATERIAL | | PART NUMBER | | | |
|---|---------|--|---------|-------------|-----|
| 3/4" SCH 40 (6063) ALUMINUM PIPE | | 168-1 | | | |
| 3/4" SCH 40 (304) STAINLESS STEEL PIPE | | 178-1 | | | |
| PART NAME 3/4" PIPE SIZE 145° ELL X 1-5/8" I.R. | | | | | |
| MATERIAL 3/4" SCH 40 A53 STEEL PIPE | | | | | |
| DATE | 8/18/95 |  R & B WAGNER, INC. | | | |
| DRAWN BY | RJF | | | | |
| FINISH | MILL | SIZE | WEIGHT | PART NUMBER | REV |
| | | A | .50 LBS | 158-1 | |