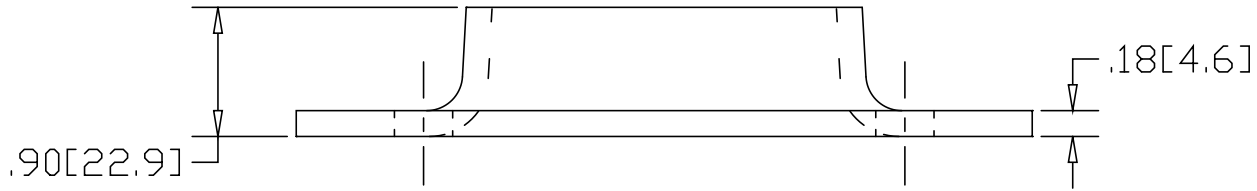
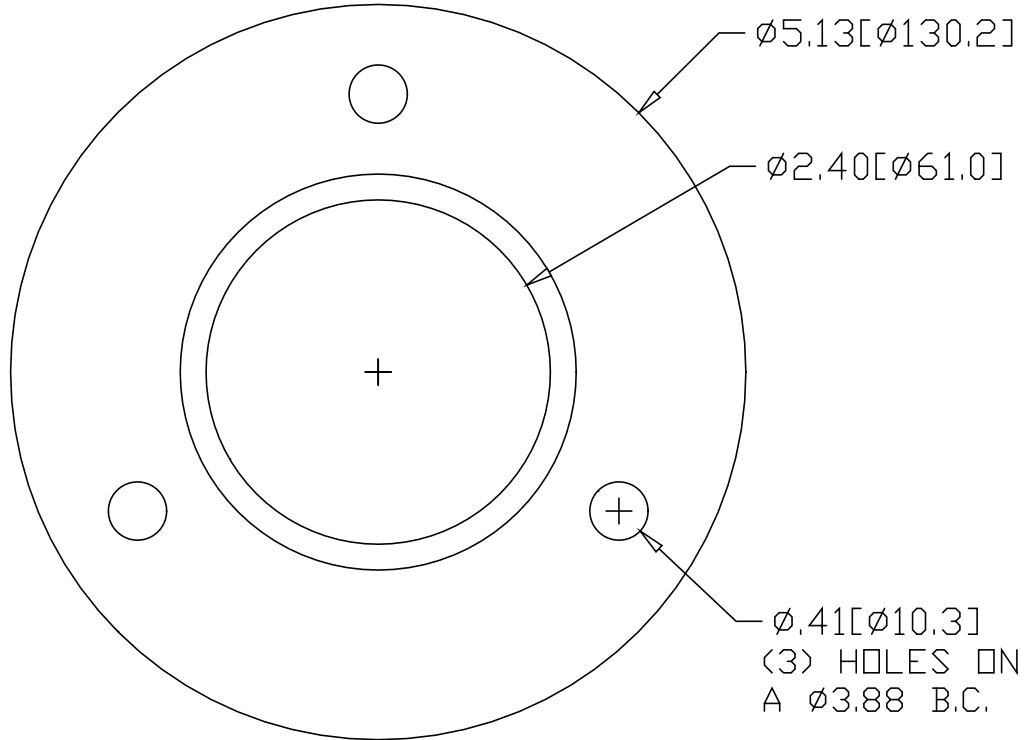


REV
SH
1662
DWG NO

REVISIONS			
REV	DESCRIPTION	DATE	APPROVED



INCHES [MILLIMETERS]

*USE WITH ANCHOR PLATE
#B1668 IN STEEL
#B1678 IN ALUMINUM

ALTERNATE MATERIAL	PART NUMBER
.19 (3003) ALUMINUM ASTM B-209	1672

PART NAME 2" PIPE SIZE EXTRA HEAVY FLANGE W/(3) HOLES			
MATERIAL 7 GA. HRP&D STEEL ASTM A-569			
DATE 3/2/95			
DRAWN BY RJF			
FINISH MILL	SIZE A	WEIGHT .94 LBS	PART NUMBER 1662
			REV