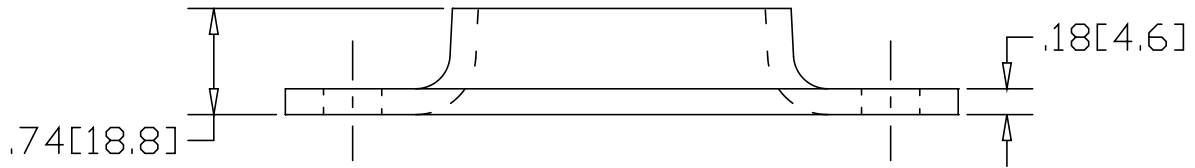
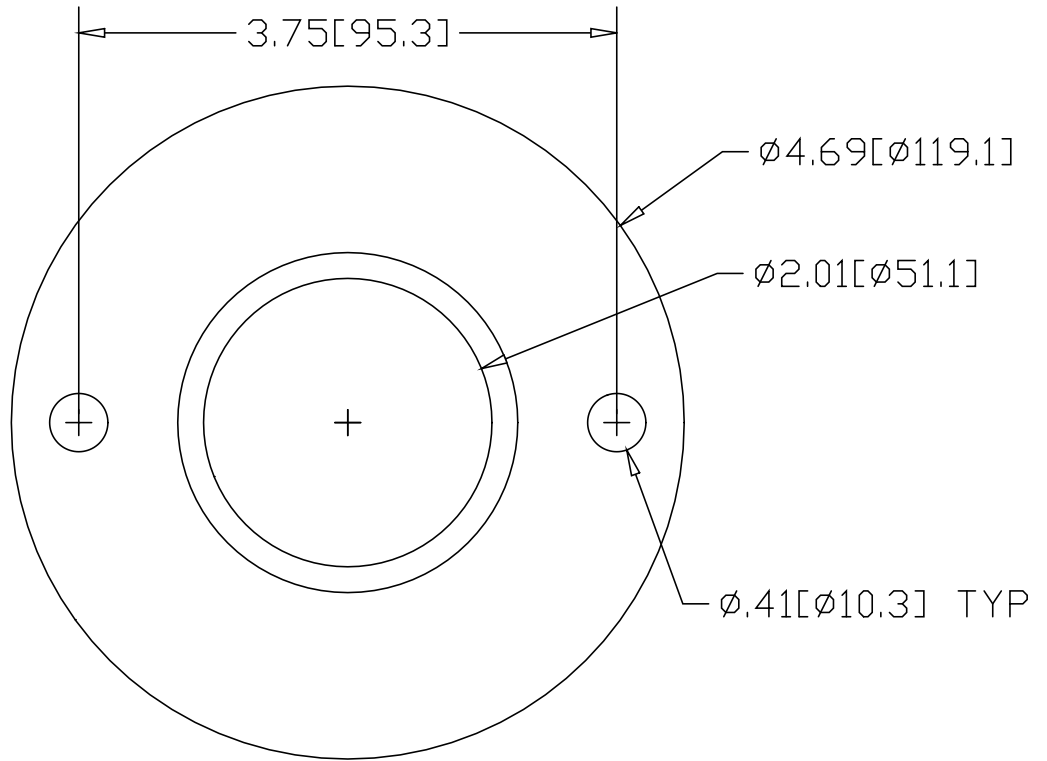


REV
SH
1661-T
DWG NO


| REVISIONS | | | |
|-----------|-------------|------|----------|
| REV | DESCRIPTION | DATE | APPROVED |



INCHES [MILLIMETERS]

* USE WITH ANCHOR PLATE
#B1628 IN STEEL
#B1648 IN ALUMINUM

| ALTERNATE MATERIAL | PART NUMBER |
|---------------------------------------|-------------|
| .190" (3003) ALUMINUM ASTM B-209 | 1671-T |
| 7 GA. (304) STAINLESS STEEL ASTM A240 | 1661-TSS |

| | | | | | | | |
|---|--------|---|---------|-------------|--------|-----|--|
| PART NAME 2" O.D. TUBE EXTRA HEAVY FLANGE W/(2) HOLES | | | | | | | |
| MATERIAL 7 GA. HPR&D STEEL ASTM A-569 | | | | | | | |
| DATE | 3/2/95 |  R & B WAGNER, INC. | | | | | |
| DRAWN BY | RJF | | | | | | |
| FINISH | MILL | | | | | | |
| SIZE | A | WEIGHT | .81 LBS | PART NUMBER | 1661-T | REV | |