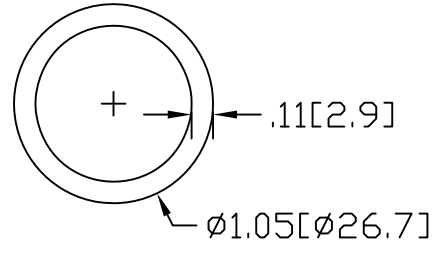
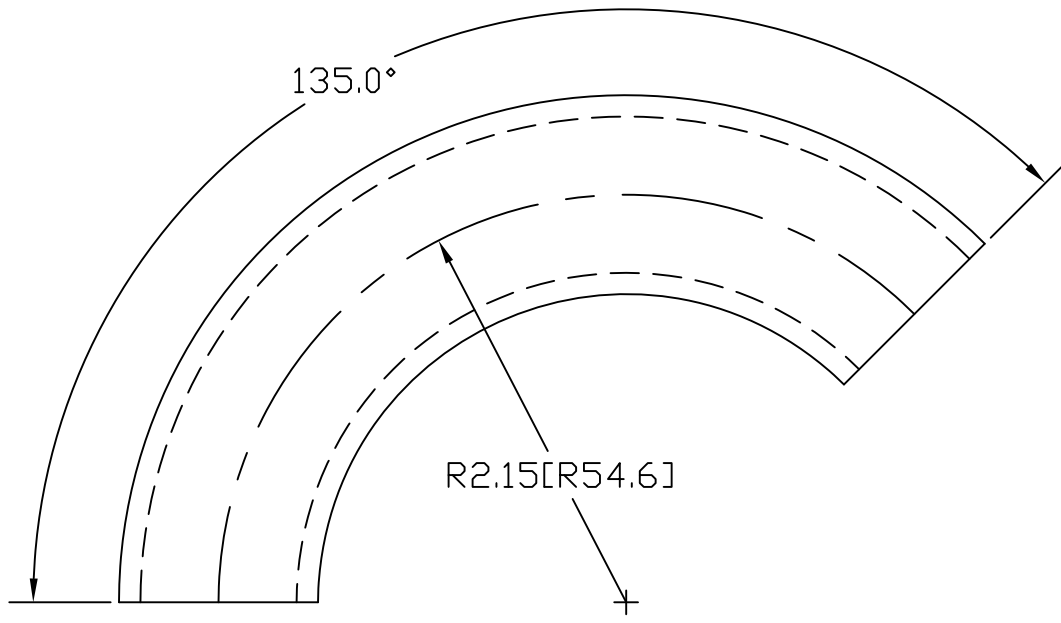



REV  
SH  
157-7  
DWG NO

REVISIONS			
REV	DESCRIPTION	DATE	APPROVED



INCHES [MILLIMETERS]

ALTERNATE MATERIAL	PART NUMBER
3/4" SCH 40 (6063) ALUMINUM PIPE	167-1
3/4" SCH 40 (304) STAINLESS STEEL PIPE	177-1

PART NAME		3/4" PIPE SIZE 135° ELL X 1-5/8" I.R.		
MATERIAL		3/4" SCH 40 A53 STEEL PIPE		
DATE	8/18/95	 R & B WAGNER, INC.		
DRAWN BY	RJF			
FINISH	MILL	SIZE	WEIGHT	PART NUMBER
		A	.46 LBS	157-7
				REV