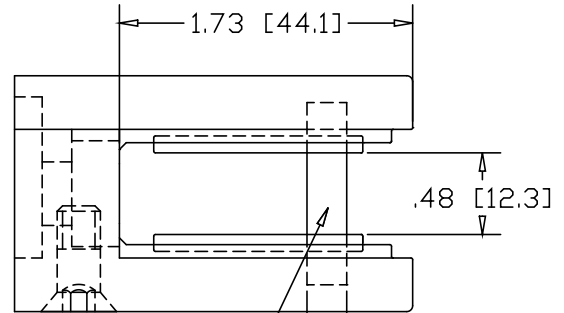
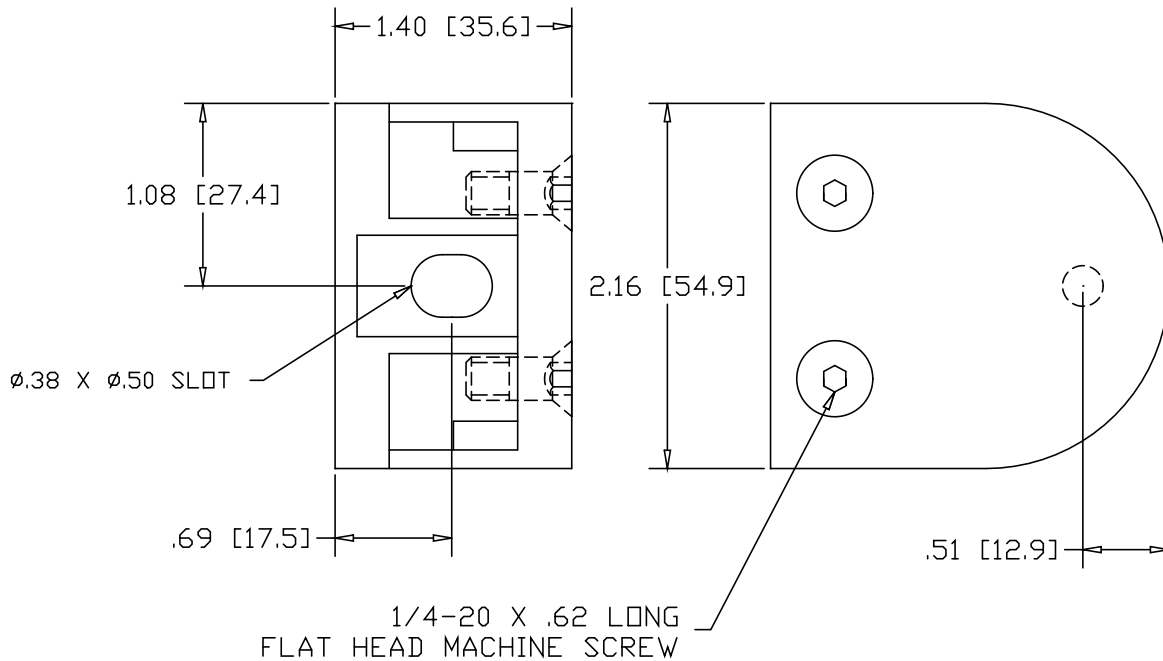


REV
SH
162813R-F
DWG NO

REVISIONS			
REV	DESCRIPTION	DATE	APPROVED



GLASS SUPPORT PIN
(OPTIONAL)



INCHES [MILLIMETERS]

PART NAME		GLASS CLIP ASSEMBLY		
MATERIAL		TYPE 304 STAINLESS STEEL		
DATE	5/16/05		THE WAGNER COMPANIES R & B WAGNER, INC. AND J. G. BRAUN CO.	
DRAWN BY	DGP			
FINISH	MIRROR			
SIZE	A	WEIGHT	PART NUMBER	162813R-F
			REV	