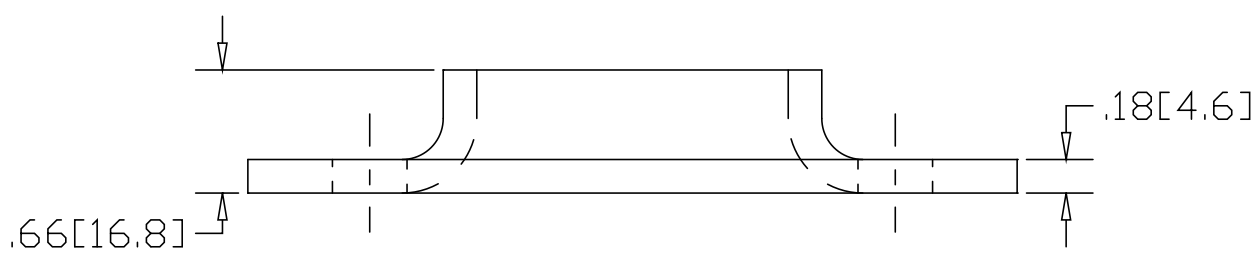
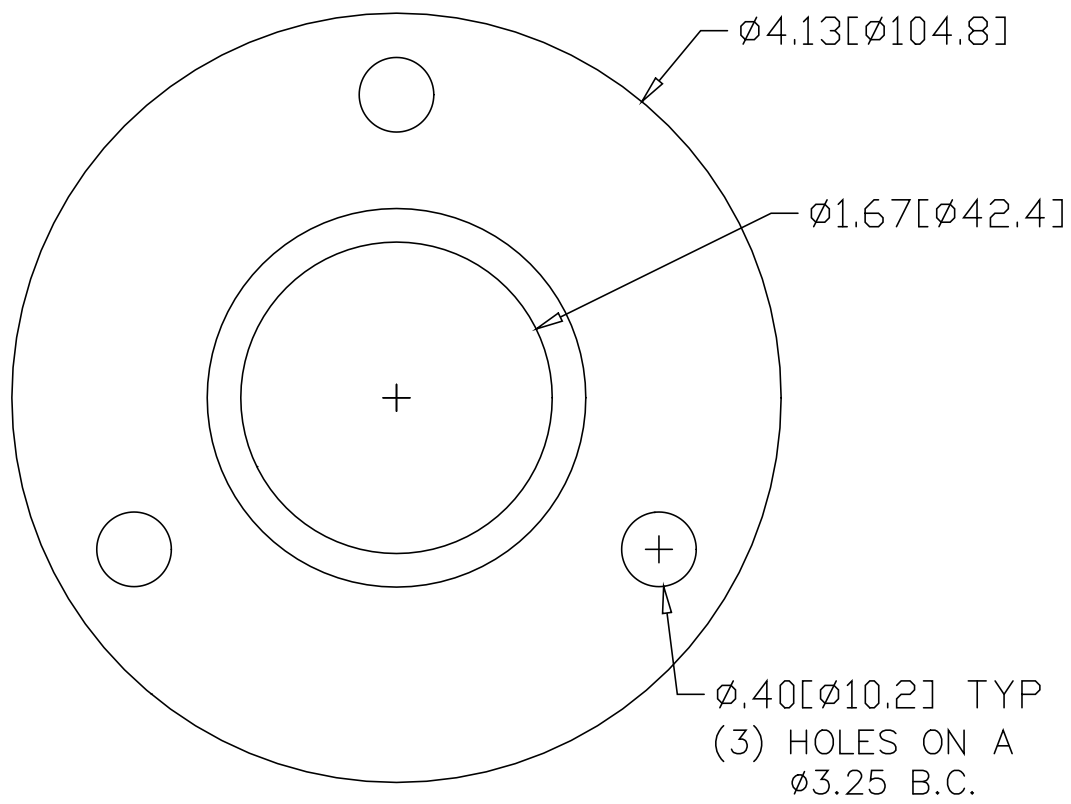


REV
SH
1612
DWG NO


REVISIONS			
REV	DESCRIPTION	DATE	APPROVED



INCHES [MILLIMETERS]

*USE WITH ANCHOR PLATE
#B1608 IN STEEL
#B1658 IN ALUMINUM

ALTERNATE MATERIAL	PART NUMBER
3/16" (3003) ALUMINUM ASTM B-209	1632

PART NAME 1-1/4" PIPE SIZE EXTRA HEAVY FLANGE W/(3) HOLES				
MATERIAL 3/16" HRP&O STEEL ASTM A-569				
DATE 1/15/95	 R & B WAGNER, INC.			
DRAWN BY RJF				
FINISH MILL	SIZE A	WEIGHT .6 LBS	PART NUMBER 1612	REV