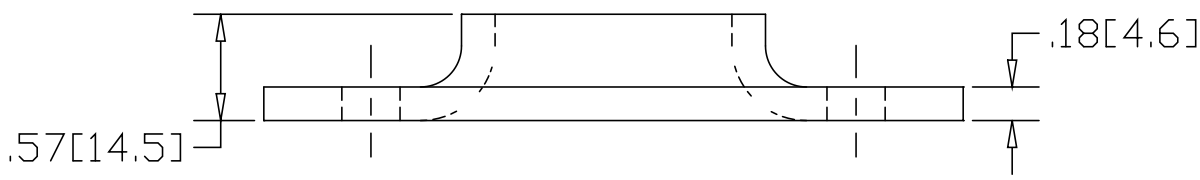
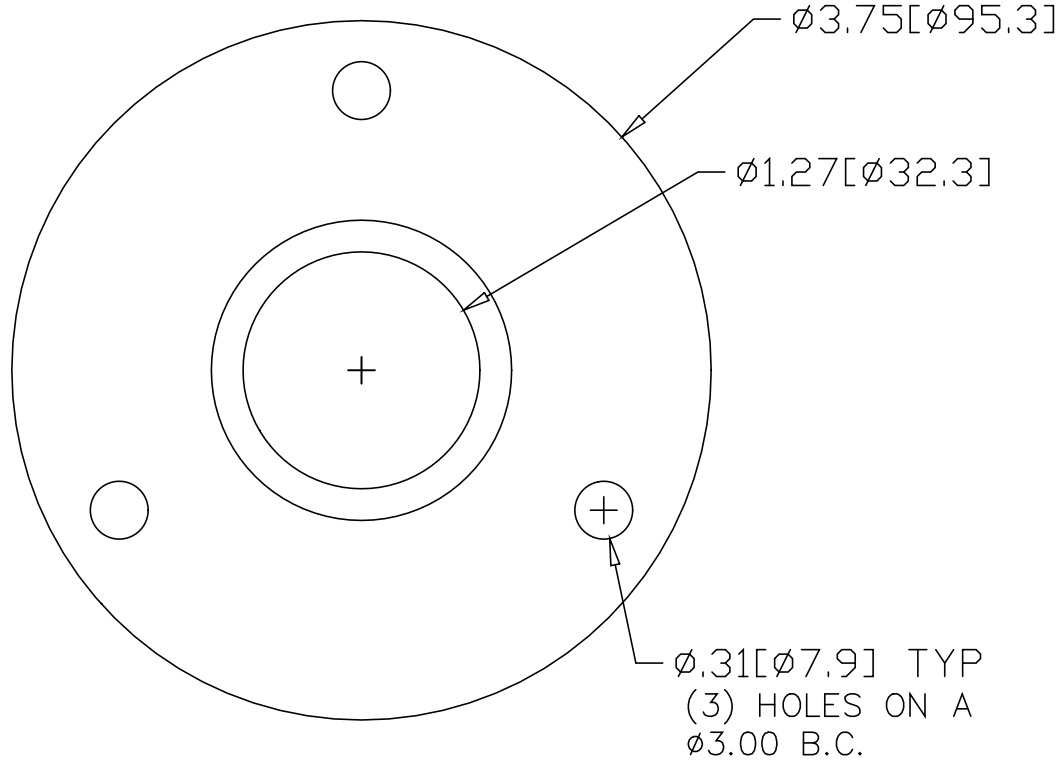


REV
SH
1610-T
DWG NO

REVISIONS			
REV	DESCRIPTION	DATE	APPROVED



*USE WITH ANCHOR PLATE
 #B1616 IN STEEL
 #B1638 IN ALUMINUM

INCHES [MILLIMETERS]

ALTERNATE MATERIAL	PART NUMBER
.190 (3003) ALUMINUM ASTM B209	1632-T

PART NAME 1.25" OD TUBE EXTRA HEAVY FLANGE WITH (3) HOLES			
MATERIAL 3/16" HRP&O STEEL ASTM A-569			
DATE 3/17/99			
DRAWN BY RJF			
FINISH MILL	SIZE A	WEIGHT .56 LBS	PART NUMBER 1610-T
			REV