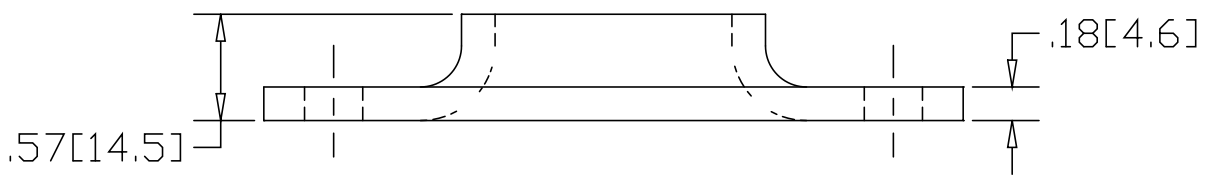
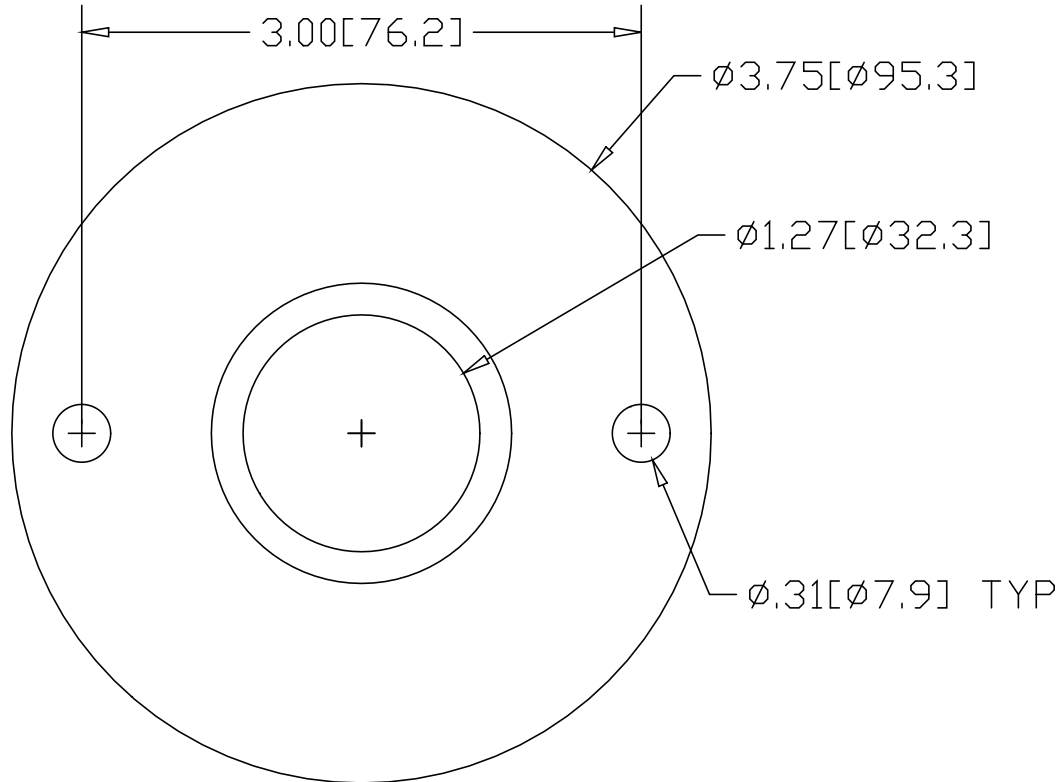


REV
SH
1609-T
DWG NO

REVISIONS			
REV	DESCRIPTION	DATE	APPROVED



INCHES [MILLIMETERS]

* USE WITH ANCHOR PLATE
#B1616 IN STEEL
#B1638 IN ALUMINUM

ALTERNATE MATERIAL	PART NUMBER
.190 (3003) ALUMINUM ASTM B209	1631-T

PART NAME 1.25" OD TUBE EXTRA HEAVY FLANGE WITH (2) HOLES				
MATERIAL 3/16" HRP&O STEEL ASTM A-569				
DATE 3/17/99				
DRAWN BY RJF				
FINISH MILL	SIZE A	WEIGHT .56 LBS	PART NUMBER 1609-T	REV