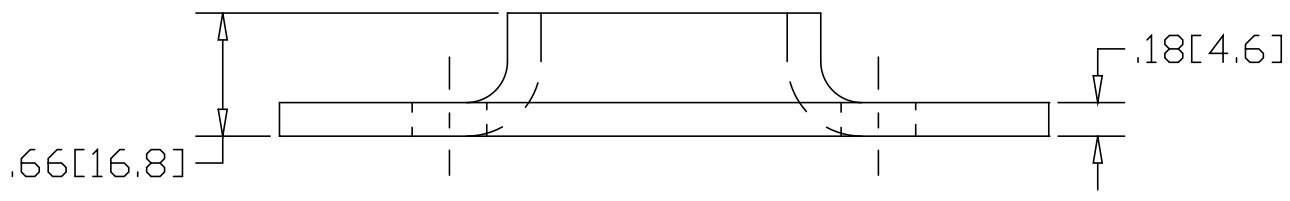
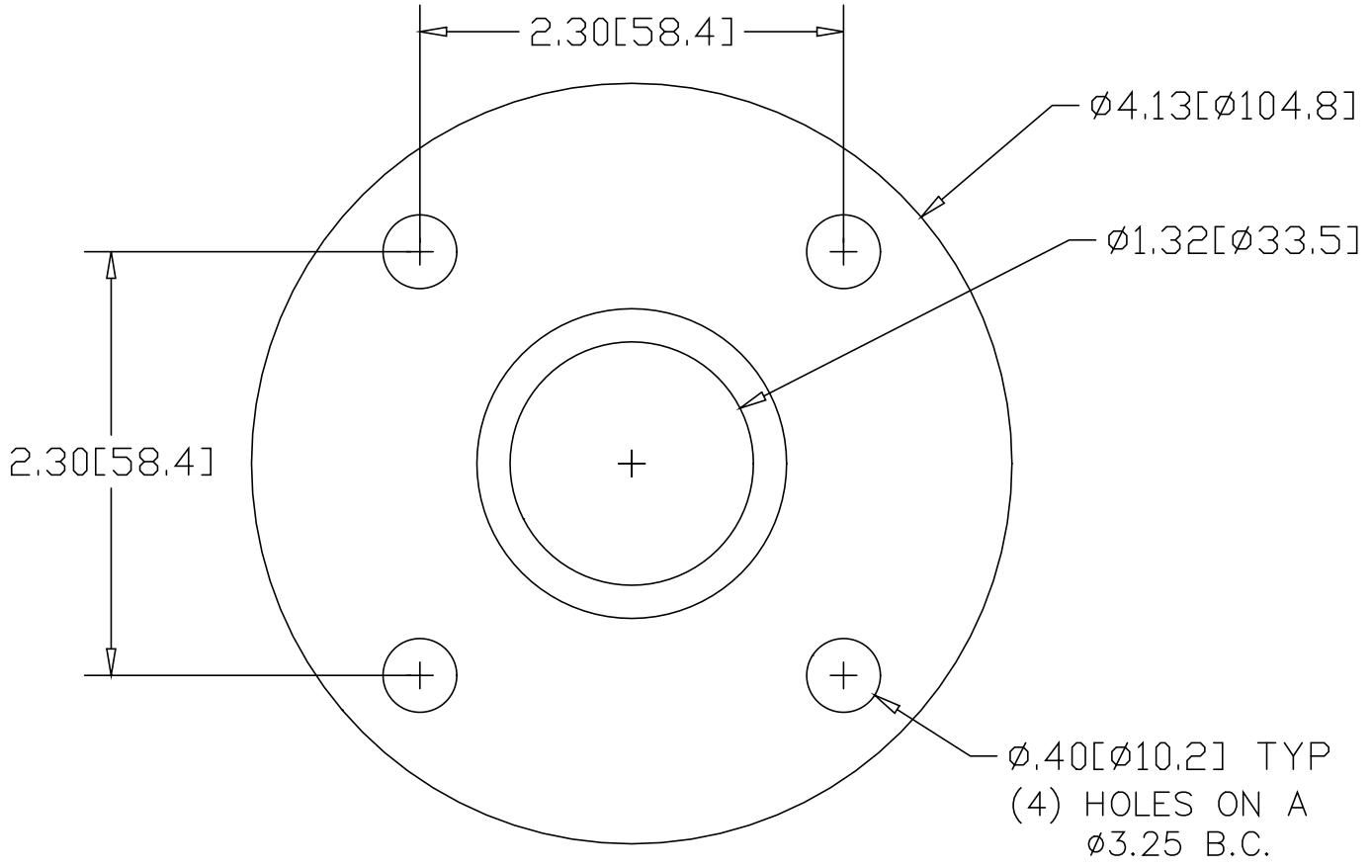


REV  
SH  
1603  
DWG NO

REVISIONS			
REV	DESCRIPTION	DATE	APPROVED



INCHES [MILLIMETERS]

\*USE WITH ANCHOR PLATE  
#B1608 IN STEEL  
#B1658 IN ALUMINUM

ALTERNATE MATERIAL	PART NUMBER
3/16" (3003) ALUMINUM ASTM B-209	1653

PART NAME 1" PIPE SIZE EXTRA HEAVY FLANGE W/(4) HOLES							
MATERIAL 3/16" HRP&O STEEL ASTM A-569							
DATE	2/23/99						
DRAWN BY	RJF						
FINISH	MILL						
SIZE	A	WEIGHT	.6 LBS	PART NUMBER	1603	REV	