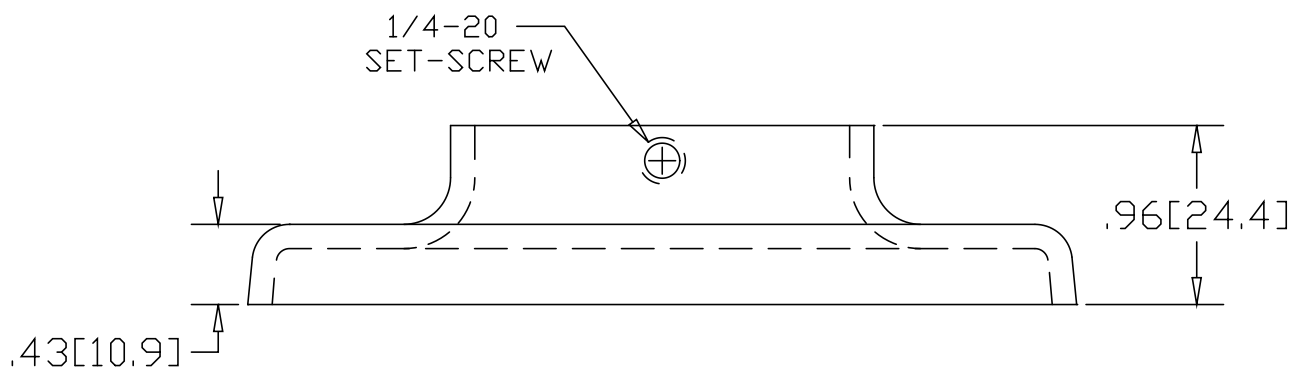
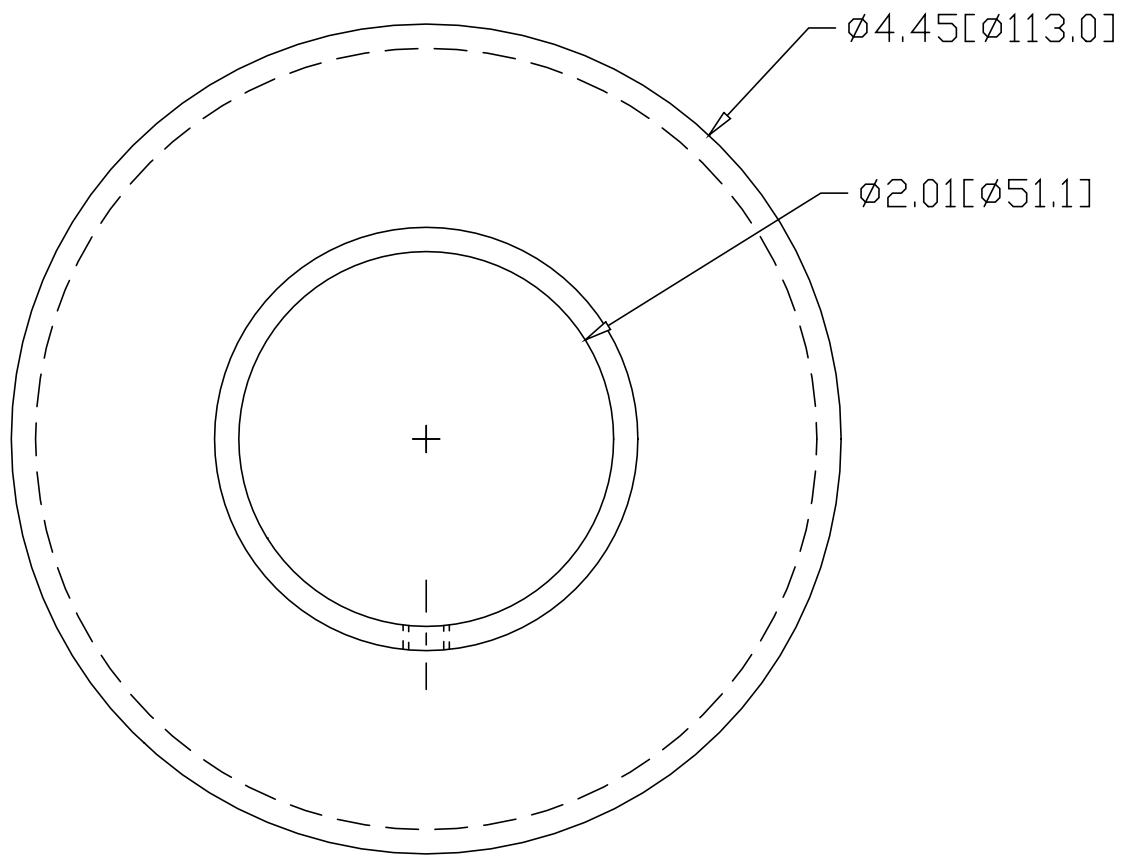



REV
SH
1445T
DWG NO

| REVISIONS | | | |
|-----------|-------------|------|----------|
| REV | DESCRIPTION | DATE | APPROVED |



INCHES [MILLIMETERS]

| ALTERNATE MATERIAL | | PART NUMBER | | | | | |
|--|---------|---|---------|-------------|-------|-----|--|
| .125 (3003) ALUMINUM ASTM B209 | | 1485T | | | | | |
| 10 GA. (304) STAINLESS STEEL ASTM A240 | | 1545T | | | | | |
| PART NAME 2.00" OD TUBE HEAVY BASE FLANGE WITH SET-SCREW | | | | | | | |
| MATERIAL 10 GA. HRP&D STEEL ASTM A569 | | | | | | | |
| DATE | 9/13/94 |  R & B WAGNER, INC. | | | | | |
| DRAWN BY | RJF | | | | | | |
| FINISH | MILL | | | | | | |
| SIZE | A | WEIGHT | .64 LBS | PART NUMBER | 1445T | REV | |