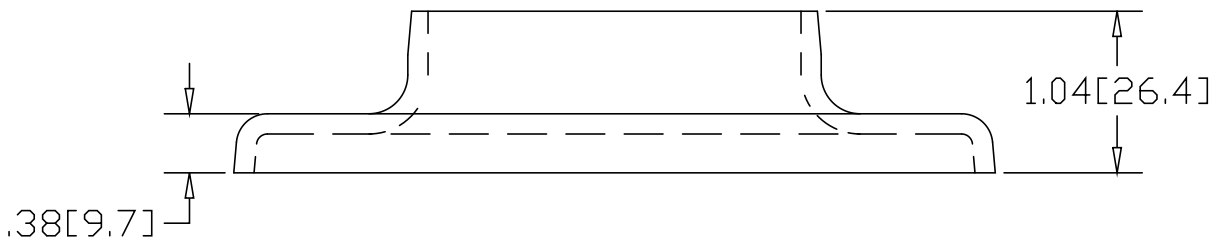
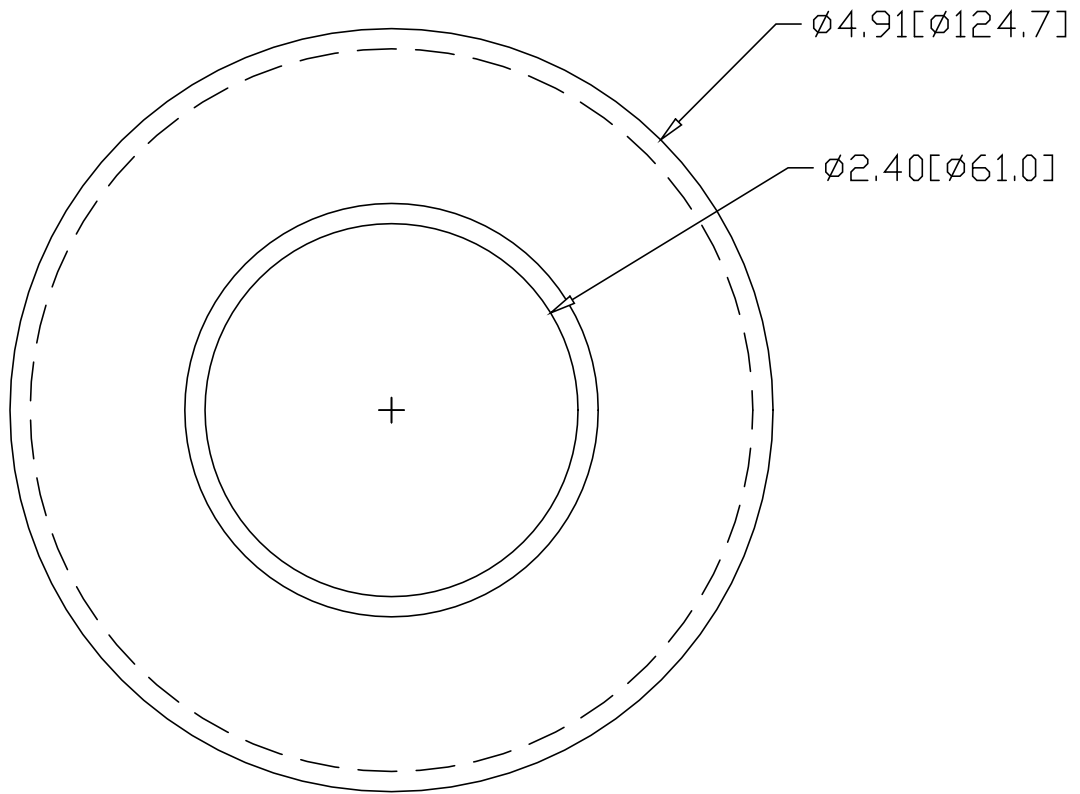



REV
SH
1442
DWG NO

| REVISIONS | | | |
|-----------|-------------|------|----------|
| REV | DESCRIPTION | DATE | APPROVED |



INCHES [MILLIMETERS]

| ALTERNATE MATERIAL | PART NUMBER |
|--|-------------|
| .125 (3003) ALUMINUM ASTM B209 | 1482 |
| 10 GA. (304) STAINLESS STEEL ASTM A240 | 1542 |
| .125 (280) MUNTZ METAL | BZ1442 |

| | | | | |
|-----------|---------|---|---------|-------------|
| PART NAME | | 2" PIPE HEAVY BASE FLANGE | | |
| MATERIAL | | 10 GA. HRP&D STEEL ASTM A569 | | |
| DATE | 9/14/94 |  R & B WAGNER, INC. | | |
| DRAWN BY | RJF | | | |
| FINISH | MILL | SIZE | WEIGHT | PART NUMBER |
| | | A | .72 LBS | 1442 |
| | | | | REV |