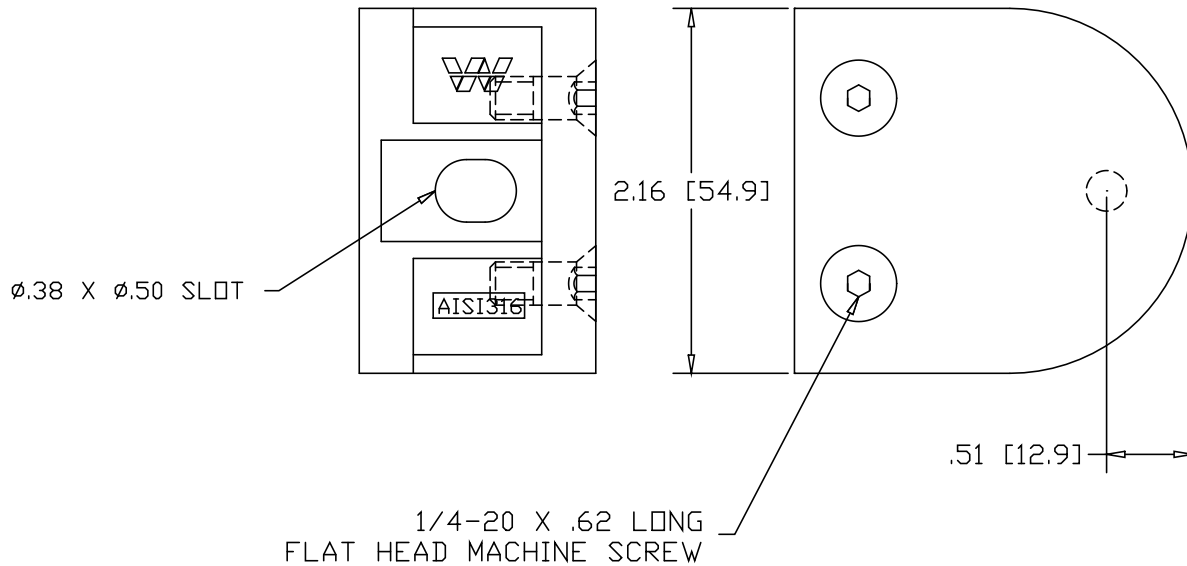
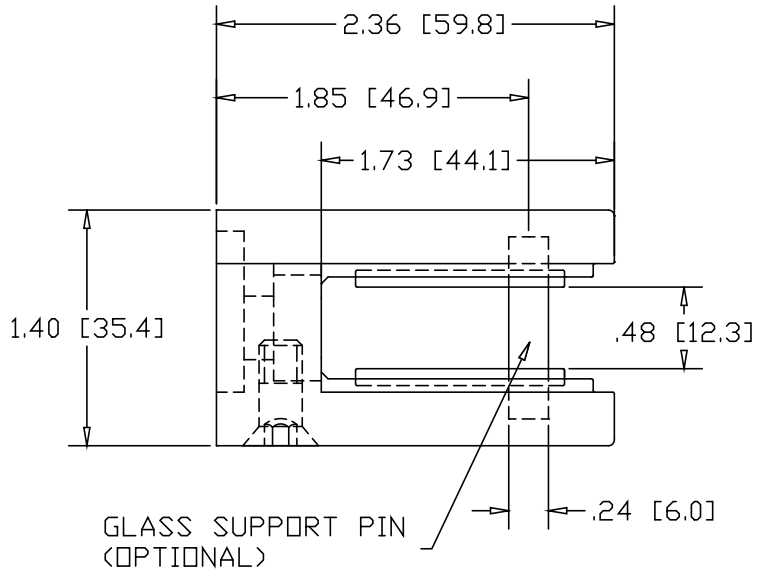



REV
SH
DWG NO 152813R-F

REVISIONS			
REV	DESCRIPTION	DATE	APPROVED



INCHES [MILLIMETERS]

PART NAME		GLASS CLIP ASSEMBLY	
MATERIAL		TYPE 304 STAINLESS STEEL	
DATE	03/03/06	 THE WAGNER COMPANIES R & B WAGNER, INC. AND J. G. BRAUN CO.	REV
DRAWN BY	RJF		
FINISH	#4 SATIN		
SIZE	A	WEIGHT	PART NUMBER
			152813R-F