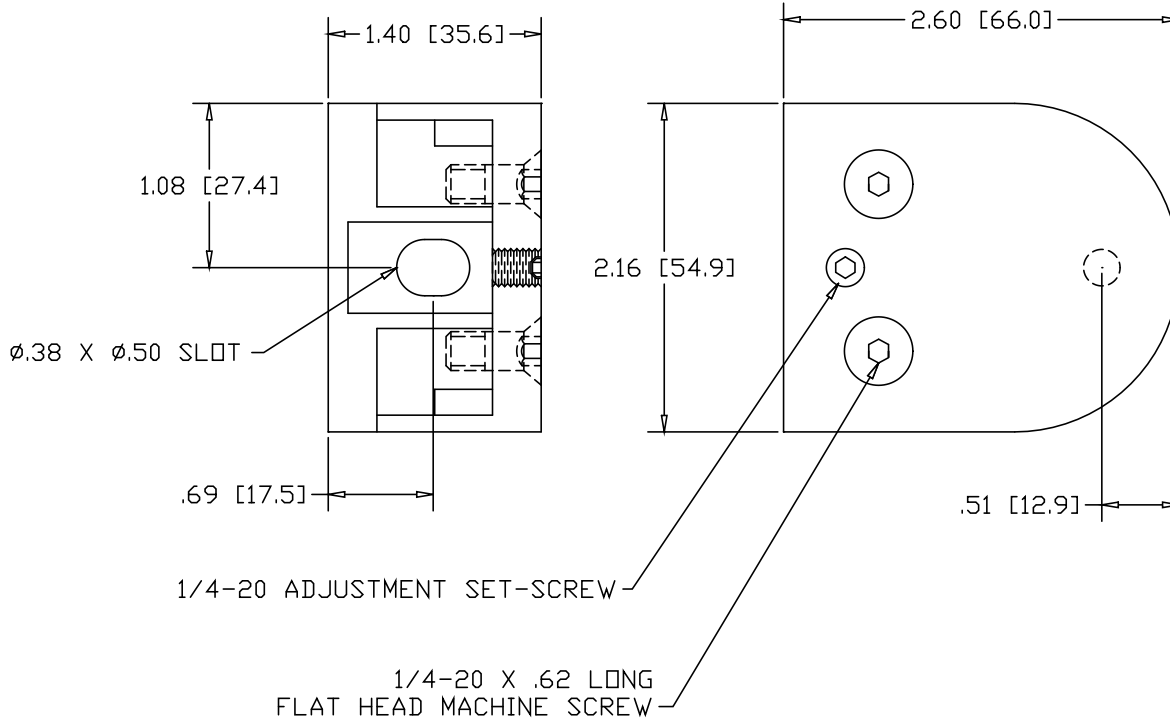
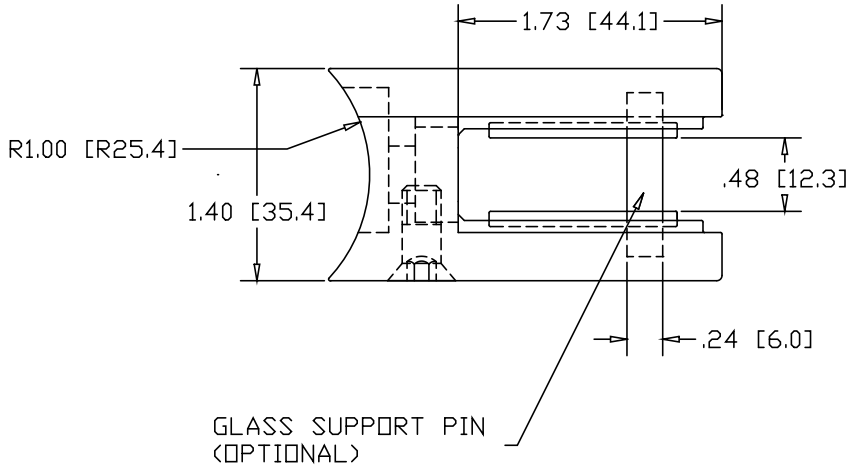



REV
SH
152813R-2
DWG NO

REVISIONS			
REV	DESCRIPTION	DATE	APPROVED



INCHES [MILLIMETERS]

PART NAME		GLASS CLIP ASSEMBLY	
MATERIAL		TYPE 304 STAINLESS STEEL	
DATE	5/16/05	 THE WAGNER COMPANIES R & B WAGNER, INC. AND J. G. BRAUN CO.	REV
DRAWN BY	DGP		
FINISH	#4 SATIN		
SIZE	A	WEIGHT	PART NUMBER
			152813R-2