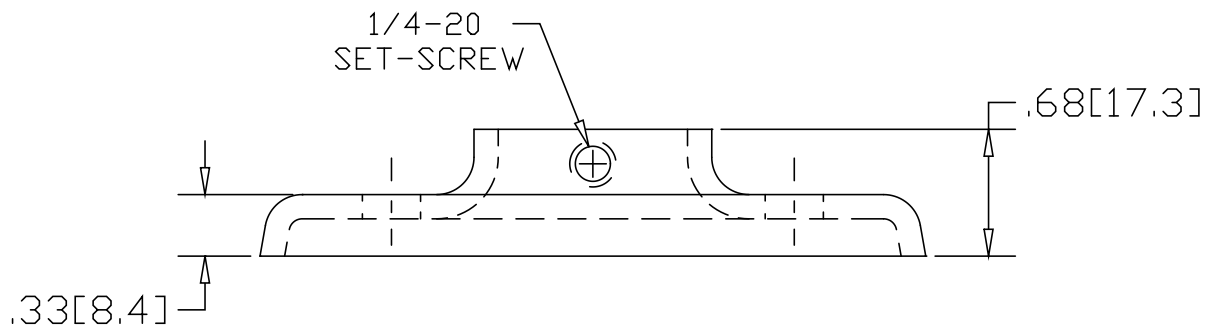
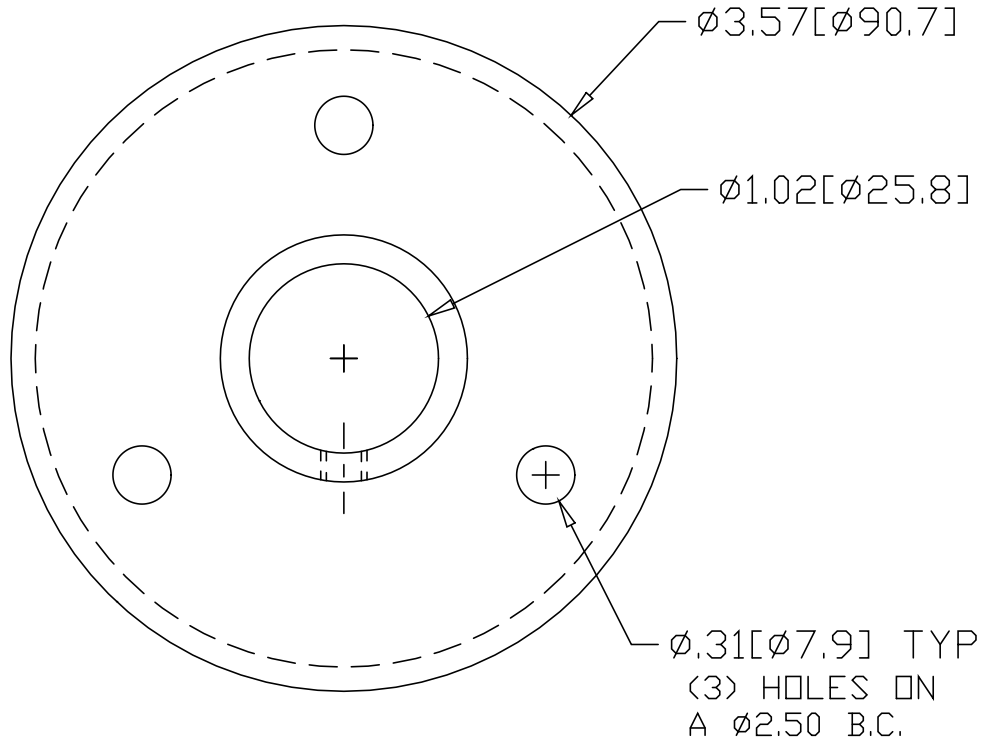


REV
SH
1422AT
DWG NO

REVISIONS			
REV	DESCRIPTION	DATE	APPROVED



INCHES [MILLIMETERS]

ALTERNATE MATERIAL	PART NUMBER
.125 (3003) ALUMINUM ASTM B209	1462AT
10 GA. (304) STAINLESS STEEL ASTM A240	1522AT

PART NAME 1" OD TUBE HEAVY BASE FLANGE W/(3) HOLES AND SET-SCREW				
MATERIAL 10 GA. HRP&D STEEL ASTM A569				
DATE 9/13/94				
DRAWN BY RJF				
FINISH MILL	SIZE A	WEIGHT .41 LBS	PART NUMBER 1422AT	REV