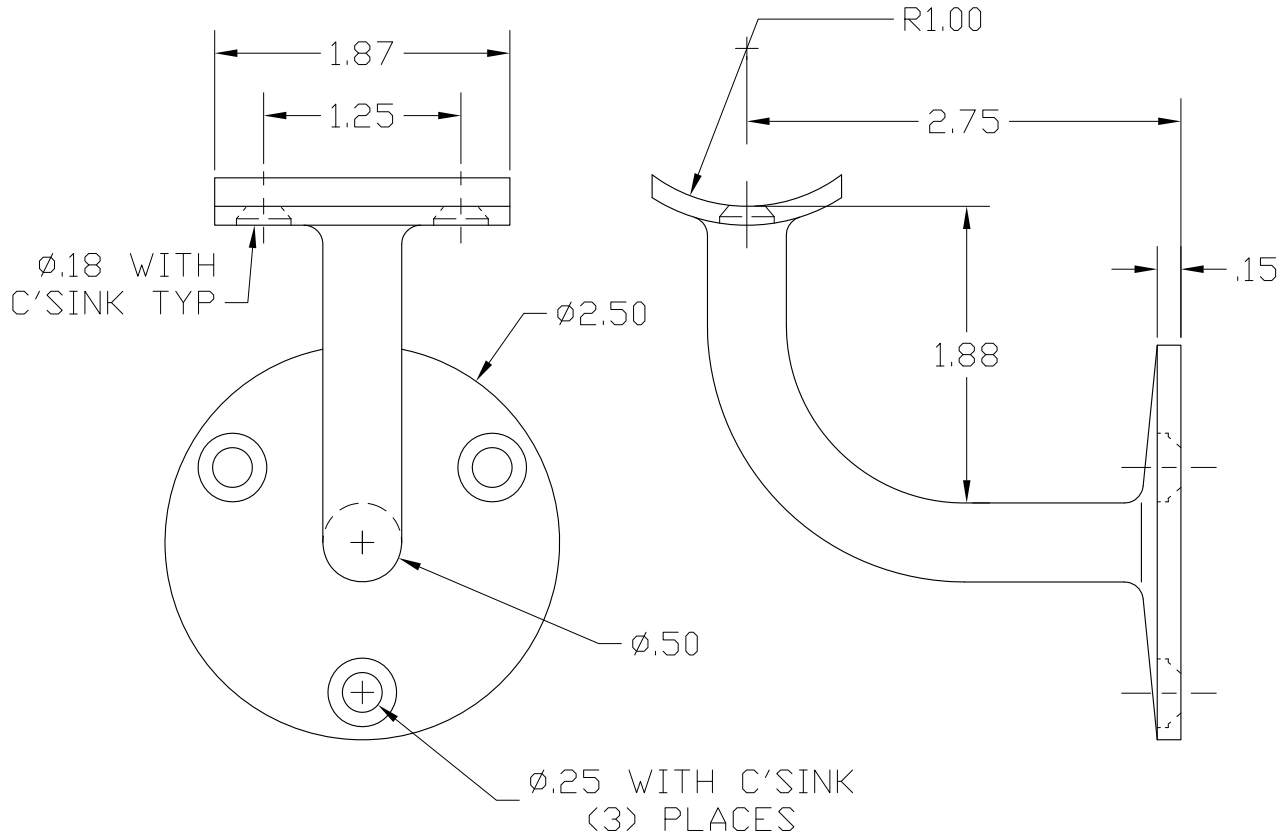



REV
SH
DWG NO 152034

REVISIONS			
REV	DESCRIPTION	DATE	APPROVED



PART NAME		STAINLESS STEEL HANDRAIL BRACKET FOR 2" OD RAIL		
MATERIAL		304 STAINLESS STEEL		
DATE	8/19/02	 THE WAGNER COMPANIES R & B WAGNER, INC. AND J. G. BRAUN CO.		
DRAWN BY	RJF			
FINISH	#8 MIRROR	SIZE	WEIGHT	PART NUMBER
		A	.52 LBS	152034
				REV