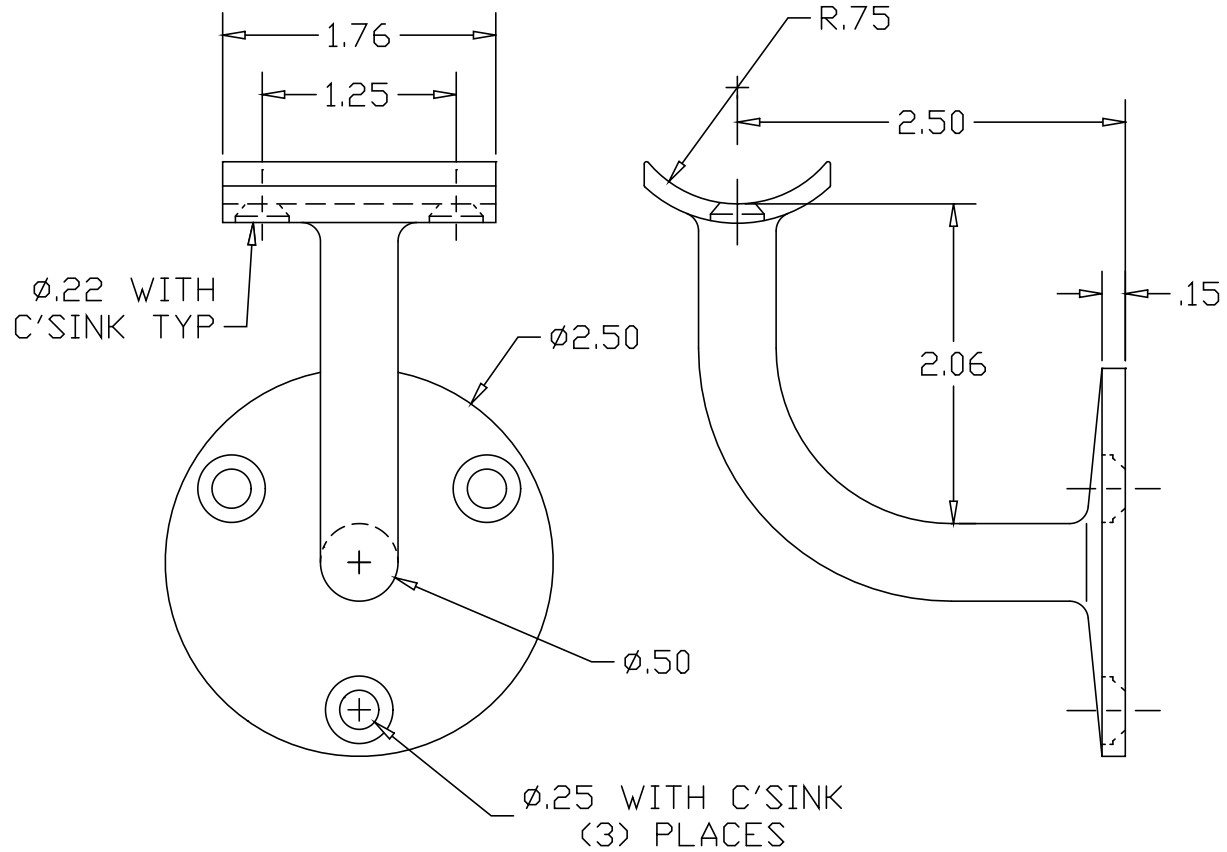



REV  
SH  
151534  
DWG NO

REVISIONS			
REV	DESCRIPTION	DATE	APPROVED



PART NAME 2-1/2" CL STAINLESS STEEL HANDRAIL BRACKET FOR 1.50"OD			
MATERIAL 304 STAINLESS STEEL			
DATE 8/19/02		<b>THE WAGNER COMPANIES</b> R & B WAGNER, INC. AND J. G. BRAUN CO.	
DRAWN BY RJF			
FINISH #8 MIRROR	SIZE A	WEIGHT .52 LBS	PART NUMBER 151534
			REV